



OPERATOR MANUAL

Includes Safety, Service and Replacement Part Information

Model 240 One Man Hole Digger

**Form: GOM26010601
Version 3.1**

Do not discard this manual. Before operation, read and comprehend its contents. Keep it readily available for reference during operation or when performing any service related function. When ordering replacement parts, please supply the following information: model number, serial number and part number. For customer service assistance, telephone 800.533.0524, +507.451.5510. Our Customer Service Department telefax number is 877.344.4375 (DIGGER 5), +507.451.5511. There is no charge for customer service activities .

Internet address: <http://www.generalequip.com>.
Email: general@generalequip.com.

The product covered by this manual complies with the mandatory requirements of 98/37/EC.

Copyright 2009, General Equipment Company.



General[®]
EQUIPMENT COMPANY
620 Alexander Dr. S.W. • P.O. Box 334
Owatonna, Minnesota 55000



Call AAA Rent-All at 225-291-1356 for assistance ordering parts



Congratulations on your decision to purchase a General light construction product. From our humble beginnings in 1955, it has been a continuing objective of General Equipment Company to manufacture equipment that delivers uncompromising value, service life and investment return. Because of this continuous commitment for excellence, many products bearing the General name actually set the standards by which competitive products are judged.

When you purchased this product, you also gained access to a team of dedicated and knowledgeable support personnel that stand willing and ready to provide field support assistance. Our team of sales representatives and inhouse factory personnel are available to ensure that each General product delivers the intended performance, value and investment return. Our personnel can readily answer your concerns or questions regarding proper applications, service requirements and warranty related problems.

General Equipment Company places great emphasis upon not only product performance, but also on product safety. It is important to remember that this product will only be as safe as the operators which utilize it. It just makes good, common sense to take the time to read and fully understand the contents of this manual before attempting to utilize this product in service. If you ever do have any questions or concerns about this product, please feel free to contact our Customer Service Department at the telephone numbers listed below for assistance.

If there is anything that I can do to assist your efforts when utilizing this product, please do not hesitate to contact me. For assistance after normal business hours, telephone me at 507.451.9409 or 507.363.1033. If I am not immediately available, I will attempt to return your call as soon as possible.

Sincerely,

GENERAL EQUIPMENT COMPANY

A handwritten signature in black ink, appearing to read "Dennis Von Ruden", written in a cursive style.

Dennis Von Ruden
President



**EU
Declaration of Conformity**

We,

**General Equipment Company
620 Alexander Drive SW
P.O. Box 334
Owatonna, MN 55060 USA**

**Declare under our sole responsibility that the
portable hole digging product:**

M240

**To which this declaration relates is in conformity with the following Standard(s)
or other normative document(s):**

EN 1037:1995; EN 1050: 1996; EN294:1992; EN349:1993; EN 547-1:1996; EN547-2:
1996; EN 547-3:1996; EN ISO 13732-1:2006; EN614-1:2006; EN 614-1:2000;
EN811:1996; EN953:1997; EN ISO 13849-1:2006; EN ISO 13849-2:2003

Following the provisions of Directive(s):

98/37/EC and to 2006/42/EC

Manufactured at:

Owatonna, Minnesota 55060 USA

Beginning with serial number:

33150

A large, stylized handwritten signature in black ink, appearing to read "Dennis Von Ruden". The signature is written in a cursive, flowing style with many loops and flourishes.

Signature: Dennis Von Ruden

Position: President

Date: August 1, 2009

Table of Contents

| DESCRIPTION | PAGE |
|---|------|
| <i>Notice to Operators</i> | 4 |
| <i>Operator Instructional Data Sheet</i> | 6 |
| <i>Safety Precautions</i> | 7 |
| PREPARATION. | 7 |
| OPERATION. | 9 |
| MAINTENANCE, REPAIR, AND STORAGE. | 10 |
| <i>Assembly</i> | 14 |
| <i>Before Starting the Engine</i> | 14 |
| FILLING THE ENGINE GASOLINE TANK. | 15 |
| FILLING THE HOLE DIGGER TRANSMISSION WITH GREASE. | 15 |
| <i>Digging Operation</i> | 15 |
| OPERATIONAL DISCLAIMER. | 15 |
| CALIFORNIA PROPOSITION 65 DISCLAIMER. | 16 |
| SPARK ARRESTOR DISCLAIMER. | 16 |
| INFORMATION RELATIVE TO MINIMUM COMPONENT STANDARDS FOR THE OPERATION OF THE HOLE DIGGER. | 16 |
| GENERAL TRANSPORTATION INFORMATION. | 17 |
| DETERMINATION OF POTENTIAL SUBSURFACE HAZARDS IN THE PROPOSED DIGGING LOCATION(S). | 17 |
| SET-UP FOR DIGGING. | 17 |
| STARTING THE ENGINE WITH THE AUGER CONNECTED TO THE AUGER DRIVESHAFT. | 18 |
| OPERATING THE HOLE DIGGER. | 20 |
| UNDERSTANDING KICKBACK. | 21 |
| BACK CARE/PROPER LIFTING INFORMATION | 21 |
| MINIMIZING KICKBACK FROM AN OPERATIONAL STANDPOINT. | 22 |
| MINIMIZING KICKBACK FROM A DESIGN STANDPOINT. | 23 |
| OPERATING THE HOLE DIGGER CONTINUED. | 24 |
| STOPPING THE HOLE DIGGER. | 27 |
| TEMPORARY STORAGE FOR THE HOLE DIGGER WHILE ON THE JOB SITE. | 27 |
| ADDING AND REMOVING THE NONFLIGHTED AUGER EXTENSION. | 28 |
| <i>Service</i> | 30 |
| CHANGING THE HOLE DIGGER TRANSMISSION LUBRICANT. | 30 |
| MAGURA THROTTLE CONTROL MAINTENANCE PROGRAM. | 32 |
| AUGER MAINTENANCE PROGRAM. | 34 |
| REPLACING A WORN AUGER SCREW BIT. | 34 |
| REPLACING A WORN AUGER BLADE. | 34 |
| ENGINE SERVICE. | 35 |
| <i>Repair</i> | 36 |
| CENTRIFUGAL CLUTCH ROTOR AND SHOE ASSEMBLY REMOVAL AND INSTALLATION. | 36 |
| CENTRIFUGAL CLUTCH DRUM AND PINION SHAFT REMOVAL AND INSTALLATION. | 38 |
| <i>Troubleshooting</i> | 40 |
| ENGINE. | 40 |
| OPERATIONAL PROBLEMS. | 40 |
| <i>Storage</i> | 41 |
| <i>Specifications</i> | 41 |
| <i>MSDS</i> | 42 |
| <i>Replacement Parts Diagrams</i> | 43 |

Notice to Operators

IF YOU CAN NOT READ OR DO NOT FULLY UNDERSTAND THE CONTENTS OF THIS MANUAL, PLEASE CONTACT THE FACTORY FOR PROPER ASSISTANCE BEFORE ATTEMPTING TO OPERATE THIS PRODUCT.

SI TU NO PUEDES LE'ER O NO COMPRENDES EL CONTENIDO DE ESTE MANUAL FAVOR DE PONERSE EN CONTACTO CON LA FABRICA PARA ASISTENCIA- A PROPIA ANTES DE INTENTAR PARA OPERAR ESTE PRODUCTO.

SOLLTEN SIE DIESE GEBRAUCHSANWEISUNG NICHT LESEN KOENNEN ODER ES NICHT VOLLKOMMEN VERSTEHEN, WENDEN SIE SICH BITTE AN DEN HERSTELLER FUER RICHTIGE HILFE EHE SIE VERSUCHEN DIESES PRODUKT ZU OPERIEREN.

SI VOUS NE LISEZ OU NE COMPRENDRE ENTIEREMENT LES MATIERES DE CE MANUEL, S'IL VOUS PLAIT, CONTACTEZ L'USINE POUR L'ASSISTANCE APPROPRIEE AVANT D'UTILISER LE PRODUIT.

DANGER

DANGER indicates a hazard with a high level of risk which, if not avoided, will result in death or serious injury.

WARNING

WARNING indicates a hazard with a medium level of risk which, if not avoided, could result in death or serious injury.

CAUTION

CAUTION indicates a hazard with a low level of risk which, if not avoided, could result in minor or moderate injury.

These safety alert symbols identify important safety messages in this manual. When you see these symbols, be alert to the possibility of personal injury and carefully read the message that follows.

Do not allow anyone to operate the Hole Digger without first reading this Operator Manual and becoming familiar with its operation. The manufacturer of this Hole Digger has gone to great extremes to provide the owner(s) and/or operator(s) with the finest equipment available for its intended job function of digging holes in ice and earth formations. Yet, the possibility exists that the Hole Digger can be utilized in and/or subjected to job applications not perceived and/or anticipated by the manufacturer. Such misuse and/or misapplication of the Hole Digger can lead to the possibility of serious damage, injury or even death. It is the responsibility of the owner(s) and/or operator(s) to determine that the Hole Digger is being utilized and/or operated within the scope of its intended job function. It is the responsibility of the owner(s) and/or operator(s) to establish, monitor and constantly upgrade all safety programs and/or practices utilized in and for the operation of the Hole Digger. The purpose of such programs is to provide for owner(s) and/or operator(s) safety. Operators

Safety Precautions

DANGER

THE FOLLOWING SAFETY PRECAUTIONS PROVIDE SOME COMMON SENSE GUIDES TO PROMOTE SAFETY AND EFFICIENCY WITH THE 200 SERIES HOLE DIGGERS. NO WARRANTY, GUARANTEE OR REPRESENTATION IS MADE BY THE MANUFACTURER AS TO THE ABSOLUTE CORRECTNESS OR SUFFICIENCY OF ANY INFORMATION OR STATEMENT. THESE SAFETY PRECAUTIONS ARE INTENDED TO DEAL PRINCIPALLY WITH COMMON PRACTICES AND CONDITIONS ENCOUNTERED IN THE USE OF THE HOLE DIGGER AND ARE NOT INTENDED TO BE ALL INCLUSIVE. PROPER LEVELS OF OPERATOR EXPERIENCE, SKILL AND COMMON SENSE ARE ESSENTIAL FOR SAFE AND EFFICIENT OPERATION.

DANGER

THE ENGINE EXHAUST FROM THIS PRODUCT CONTAINS CHEMICALS KNOWN TO THE STATE OF CALIFORNIA TO CAUSE CANCER, BIRTH DEFECTS OR OTHER REPRODUCTIVE HARM. THIS STATEMENT IS MADE IN COMPLIANCE TO CALIFORNIA PROPOSITION 65.

WARNING

INCORRECT USE OF THE HOLE DIGGER CAN RESULT IN PROPERTY DAMAGE, PERSONAL INJURY OR EVEN DEATH. TO REDUCE THIS POSSIBILITY, GIVE COMPLETE AND UNDIVIDED ATTENTION TO THE JOB AT HAND AND FOLLOW THESE SAFETY PRECAUTIONS:

PREPARATION.

1) The 200 Series Hole Diggers are a specialized type of powered equipment, designed for a specific job function and require adequate and thorough instruction BEFORE operated. The size, power, complexity and operating characteristics of this type of powered equipment would dictate that each operator must receive adequate, professional instruction regarding the proper operation of this Hole Digger before being allowed to utilize it. BEFORE attempting to utilize this

Hole Digger, read this Operator Manual, view the applicable Safety and Operational Information DVD and the material supplied by the engine manufacturer to familiarize each operator with its correct operating procedures. Avoid the urge not to take the necessary time to read this Operator Manual before operating the Hole Digger. DO NOT OPERATE THE HOLE DIGGER UNTIL EACH OPERATOR COMPLETELY COMPREHENDS THE CONTENTS OF THIS MANUAL, THE APPLICABLE SAFETY AND OPERATIONAL INFORMATION DVD, APPLICABLE SUPPLEMENTAL INFORMATION AND THE INFORMATION SUPPLIED BY THE ENGINE MANUFACTURER.

2) Develop a comprehensive program for the safe operation of the Hole Digger by its owner(s) and/or operator(s). Such a program will include, but is not limited to: instructional requirements for operation, applicable OSHA requirements, local laws and regulations, job site safety and a Hole Digger maintenance program. Constantly examine and upgrade this program to guarantee owner(s) and/or operator(s) safety. Each operator must be fully instructed regarding the specifics of this safety program.

3) Determine that the Hole Digger is in its original, factory configuration and has not been modified in any manner. Many modifications can result in potentially dangerous configurations that can lead to property damage and/or personal injury. If there are any questions about possible modifications made to the Hole Digger, contact the Customer Service Department for specific information BEFORE utilization. There is no charge for this service.

4) Minors should never be allowed to operate the Hole Digger. Bystanders, especially children and animals, should not be allowed in the area where the Hole Digger is in use. The hole digging process can result in flying particles being emitted at high velocity and striking the operator and/or onlookers. This can lead to the possibility of property damage and/or personal injury. Keep all body parts, loose clothing, foreign objects and onlookers clear of the rotating auger and/or auger extensions.

5) Operators must be in proper physical condition, mental health and not under the influence of any substance (drugs, alcohol, etc.) which might impair vision, dexterity or judgment. Working with the Hole Digger is strenuous. If you have any condition that might be aggravated by strenuous work, check with your doctor BEFORE operating the Hole Digger. Guard

against the possibility of back related injuries. Always lift the Hole Digger with leg muscles and not with the back. Operators must be of adequate height so that for any given operating configuration, the operator handle(s) remain below their shoulder sockets. Do not operate the Hole Digger if this condition is not satisfied. The 200 Series Hole Diggers require that the operator be of proper height, weight and strength to maximize digging efficiency and minimize the possibility of personal injury.

6) Prolonged use of the Hole Digger (or other, similar machines) exposes the operator to vibrations which may produce Whitefinger Disease (Raynaud's Phenomenon). This phenomenon reduces the hand's ability to feel and regulate temperature, produces numbness and burning sensations and may cause nerve and circulation damage and tissue necrosis. Antivibration systems do not guarantee that you will not sustain Whitefinger Disease. Therefore, continuous and regular users should closely monitor the condition of their hands and fingers. After each period of use, exercise to restore normal blood circulation. If any of the symptoms appear, seek medical advice immediately.

7) Clothing must be sturdy and snug fitting, but allow complete freedom of movement. Never wear loose fitting jackets, scarves, neckties, jewelry, flared or cuffed pants or anything that could become caught on controls or moving parts. Wear long pants to protect your legs. Protect your hands with heavy duty, nonslip gloves to improve your grip. Good footing is most important when operating the Hole Digger. Wear sturdy boots with nonslip soles. Steel-toed safety shoes are highly recommended. Keep shoes properly laced. Never wear tennis shoes or other, similar type shoes which afford little or no protection. Wear an approved safety hard hat to protect the operator's head where there is a danger of head injuries.

8) Noise, generated by the engine of the Hole Digger and the actual process itself, can damage your hearing. The 200 Series Hole Digger operates with a noise emission greater than 70dBA. Hearing protection is required while operating or when near operating equipment. Continuous and regular operators should have their hearing checked regularly.

9) Flying debris, generated by the hole digging process, can cause eye injury. Eye protection is required while operating or when near operating equipment.

10) Visually inspect the Hole Digger, auger(s), auger extension, and accessories for damaged or worn parts. Inspect each auger for the proper screw bit and blade. Look for loose and/or damaged handle grip areas. Check for loose and/or broken parts. Determine that operator controls work freely, all safety devices are operative and information/safety decals are readable. Check to determine that the Hole Digger and all related accessories are in good mechanical condition BEFORE utilization.

11) Contact appropriate representatives to determine if/where electrical cables, gas lines and other hazardous items are buried under the work surface BEFORE utilization. The Hole Digger and related accessories are not classified as being insulated. Contact with buried electrical cables, gas lines and other hazardous items can result in electrocution and/or an explosion.

12) Know how the controls operate. Know how to stop the engine quickly in an emergency. Always start the engine according to the instructions as outlined in this manual to minimize the possibility of unexpected or uncontrolled auger rotation. Unexpected auger rotation can cause loss of machine control, and the possibility of property damage and/or personal injury.

13) Never exceed the recommended capacities of the Hole Digger. Refer to the **Specifications** section of this manual for more detailed information. Always utilize the correct auger and auger extension series designed for use with the Hole Digger. Some Hole Diggers can utilize specially designed augers intended for drilling holes through ice. Such an auger will find limited success when utilized to dig earth. Earth augers are not designed to drill through ice. Use of an incorrect auger or auger series can result in property damage and/or personal injury.

14) Do not operate the Hole Digger on a jobsite location where kickback forces generated during the hole digging process can allow body parts to come in direct contact with a vertical wall, foundation or other support type structures in close proximity. Such an occurrence can result in property damage and/or personal injury. Always maintain a safe and reasonable distance from these types of structures.

15) Breathing Carbon Monoxide fumes while operating the Hole Digger can result in property damage and/or personal injury. The normal operation of the Hole Digger is outdoors where the potential effects of Carbon Monoxide to the operator are minimized. If the Hole Digger is operated in a closed area (indoors or outdoors), determine if supplemental ventilation is

required to minimize the potential effects of Carbon Monoxide to the operator. Follow all current OSHA regulations pertaining to ventilation.

OPERATION.

1) Give complete and undivided attention to the job at hand. Do not chew gum, smoke and/or use smokeless tobacco while utilizing the Hole Digger. Do not attempt to eat and/or drink while utilizing the Hole Digger. Determine that eyeglasses and/or hearing aid devices and other medical related devices are properly secured. Keep shoes properly laced. Use of the Hole digger is strenuous and causes fatigue. Help prevent the cause of an accident. Plan to take work breaks as required to help maintain proper mental and physical alertness.

2) The 200 Series Hole Diggers are not sealed or insulated. Do not operate any Hole Digger in an explosive atmosphere or near combustible materials. Refer to current OSHA rules and regulations.

3) Gasoline is an extremely flammable fuel. Use extreme caution when handling gasoline or mixing fuel. Always utilize UL®, CSA or CE approved containers for the storage and/or transportation of fuel. Do not smoke or bring any fire or flame near the fuel. Always shut off the engine and allow it to cool before refueling. Never remove the fuel tank filler cap while the engine is running. Never operate an engine without a fuel tank filler cap. Select bare ground for fueling and move at least 10 feet from the fueling spot before starting the engine. Wipe off any spilled fuel before starting the engine and check for leakage. If a fuel or oil leak is found, do not start or run the engine until the leak is fixed and the spillage has been wiped away. Take care not to get fuel or oil on your clothing. If this happens, change your clothing immediately. Some 200 Series Hole Diggers utilize a 2 Stroke gasoline engine. Two Stroke engines require the addition of oil mixed with the gasoline for lubrication. The 240 Series Hole Digger utilizes a Four Stroke engine and does not require oil to be mixed with gasoline. Before operating the Hole Digger, refer to the **Specifications** section of this manual for more detailed information regarding gasoline and lubrication requirements.

4) The 200 Series Hole Diggers are designed for use by one operator. Use of a one man Hole Digger by more than one operator can lead to confusion and loss

of control, resulting in damage and/or personal injury. Never operate the Hole Digger with an improper number of operators. Such a configuration can result in property damage and/or personal injury. If it is felt that a greater number of operators is required to furnish additional "down pressure" to the auger, STOP and contact the Customer Service Department for specific operational and service/maintenance information. There is no charge for this service.

5) Do not operate the Hole Digger with onlookers close by. Caution all onlookers to stand clear. The hole digging process can result in flying particles being emitted at high velocity and striking the operator and/or onlookers, This can lead to the possibility of property damage and/or personal injury. Wear proper safety eyewear. Keep all body parts, loose clothing and foreign objects clear of the rotating auger.

6) Do not utilize a shovel and/or foreign object to remove the loose soil from a hole area while the Hole Digger is in use. Such a practice can result in the shovel and/or foreign object to become entrapped by the rotating auger, leading to the possibility of property damage and/or personal injury.

7) Start the engine according to the instructions as outlined in this manual to minimize the possibility of unexpected auger rotation. Unexpected auger rotation can result in the loss of machine control and the possibility of property damage and/or personal injury. The 240 Hole Digger is designed for the engine to be started by the operator's left hand only. The operator's right hand controls the twist grip throttle and engine speed. Reversing the process by starting the engine with the right hand will position the hot engine muffler in close proximity to the operator's body. This is not an approved configuration because it can result in injury from the hot muffler and/or breathing Carbon Monoxide fumes during operation. If you have any questions regarding proper starting procedures, contact the Customer Service Department BEFORE utilization. There is no charge for this service.

8) Start and operate the Hole Digger only in a well ventilated area. Carbon Monoxide fumes given off by an engine are poisonous. Breathing these fumes can result in property damage and/or personal injury. Operate the Hole Digger only when/where visibility and light are adequate for the job at hand. Work carefully. Always hold the Hole Digger firmly with both hands.

Wrap your fingers around the handle grips/gripping areas, keeping the grips/gripping areas cradled between your thumbs and forefingers. Always determine the operator handle and grips/gripping areas are in good condition and free of moisture, pitch, oil or grease. Wear gloves to improve your grip. Never leave the Hole Digger running unattended.

9) Stop the engine between each hole. Allowing the engine to remain operating between each hole substantially increases the potential for property damage and/or personal injury. Special care must be exercised in slippery conditions and on difficult, uneven surfaces. Watch for cracks, high spots and other surface irregularities. Keep proper footing and balance at all times. The normal use of the Hole Digger is on level ground. Other digging terrains can be dangerous and should be avoided. Only properly trained operators should attempt these techniques.

10) Contact with a hot engine muffler can cause property damage and/or personal injury. Remain clear of a hot, engine muffler at all times. Do not overspeed the engine by altering the governor setting or by disconnecting the engine governor (if so equipped). Serious damage to the engine and/or personal injury can result.

11) The 200 Series Hole Diggers are powered by gasoline engines which produce Carbon Monoxide fumes during the combustion process. Carbon Monoxide fumes are poisonous. Breathing Carbon Monoxide fumes while operating the Hole Digger can result in property damage and/or personal injury. The normal operation of the Hole Digger is outdoors where the potential effects of Carbon Monoxide to the operator are minimized. If the Hole Digger is operated in a closed area (indoors or outdoors), determine if supplemental ventilation is required to minimize the potential effects of Carbon Monoxide to the operator. Follow all current OSHA regulations pertaining to ventilation.

12) Because this Hole Digger is classified as a low cost, hand held, low horsepower, portable type machine, it is limited in the number of practical and/or suitable job applications for this type of equipment. A particular job site, actual soil conditions, job specifications and operator experience/skill/common sense may dictate that a different type of machine (with

characteristics of higher purchase cost, being mounted to a carrier vehicle, with greater horsepower and less mobility), method and/or process be utilized to properly complete the job with the degree of efficiency and safety required. Contact the Customer Service Department for specific information regarding suitable job applications, job sites, soil conditions and operator experience/skill/common sense recommendations for this Hole Digger BEFORE utilization. There is no charge for this service.

MAINTENANCE REPAIR AND STORAGE.

1) Use only genuine, approved replacement parts for maintenance and repair. Use of parts manufactured by others can result in property damage and/or personal injury.

2) Follow the **Service** instructions as outlined in the appropriate section of the Operator Manual.

3) Always stop the engine and disconnect the spark plug wire BEFORE checking or working on the Hole Digger.

4) Always properly maintain the Hole Digger. Frequently check all fasteners and individual parts. Built in safety features are effective only if they are maintained in good working condition. Replace any questionable part or assembly with a genuine, approved replacement part. Do not forsake proper maintenance for the price of a few replacement parts. Proper maintenance does not cost---it actually pays dividends. Do not attempt any maintenance or repair work not described in the Operator Manual. Have such work performed at your dealer's servicing shop.

5) Determine the engine throttle control and throttle cable assemblies are not damaged and allow for complete freedom of movement. This is necessary to allow them to perform their intended job functions. Do not operate the Hole Digger with a damaged or worn throttle control and/or throttle cable assembly.

6) A worn or damaged engine muffler is a fire hazard and may cause loss of hearing. Check to see that the muffler is in good condition. If the muffler is equipped with a spark arresting device, determine that it is in proper working condition at regular service intervals. Replace the spark arresting device with an approved

replacement if there is any question of its integrity. It is the responsibility of the owner(s) and/or operator(s) to provide for and properly maintain a USDA approved, spark arresting muffler in an area where specified by law. Check with appropriate governing agencies for more specific information. The Hole Digger must not be operated if the muffler is faulty or has been removed. Contact with a hot muffler can cause property damage and/or personal injury. Remain clear of a hot engine muffler.

7) Maintain all safety and operation decals in proper condition. If any decal becomes damaged and/or unreadable, replace with a genuine, factory approved, replacement part only.

8) The Hole Digger may utilize locking type hexagon nuts to minimize the effects of vibration. Replace all self locking hardware with genuine, factory approved, replacement parts only.

9) Consult the material supplied by the engine manufacturer for specific information relative to proper operational, lubrication and storage requirements.

10) Replace the auger teeth/blade and screw bit when signs of excessive wear are seen. When such parts are not replaced at proper intervals, undue wear will occur at the boring head and auger flighting. The end result is an inverted cone configuration for the auger, which usually requires complete replacement. FIGURE 1. Digging with equipment that is past its useful service life or that have not been properly maintained can result in substandard productivity, excessive property damage and/or personal injury. Auger service life can be greatly extended with constant auger wear part maintenance.



FIGURE 1

11) At the conclusion of the useful service life of the Hole Digger, drain and properly dispose of all fluids per local requirements. Disassemble engine and transmission components. Wear appropriate safety apparel during the disassembly process. Recycle aluminum, steel and nonmetallic components properly per local requirements.

General Safety Information



Physical Exertion

Operating the Hole Digger requires proper physical stamina and mental alertness.

Improper operation can result in physical injury and/or damage to the machine.

Operators must be alert and of proper physical size and condition.



Noise

The Hole Digger operates with a noise emission level greater than 70dba.

Exposure to high noise emission levels can result in hearing loss or damage.

Wear hearing protection when near or operating the Hole Digger.



Flying Debris

The hole digging process can result in flying debris.

Contact with flying debris can result in personal injury.

Wear eye protection and appropriate safety apparel when near or operating the Hole Digger.



Burn Danger

An engine muffler can become hot.

A hot muffler can result in personal injury.

Do not touch a hot engine muffler.



Auger Entrapment

The earth auger is not shielded.

Body contact with a rotating earth auger can result in personal injury.

Do not come in contact with a rotating earth auger.



Body Strain

The hole digging process can result in body strain.

Strain can inflict damage to lower back and upper body parts.

Minimize the effects of strain by lifting the Hole Digger with your back positioned vertically.



Kickback

Auger contact with a buried rock or other obstruction can thrust the handle toward the operator with a sharp, counter-clockwise rotation called kickback.

Kickback forces can inflict damage to hands, arms and other upper body parts.

Assume the proper operating position when digging to maximize control and minimize the effects of kickback.

Safety Practices:

- Operation is strenuous work. Operators must be in proper physical condition, mental health and not under the influence of any substance which might impair vision, dexterity or judgment. Check with your doctor BEFORE operation.

- Clothing must be sturdy and snug fitting, but allow complete freedom of movement. Wear sturdy leather boots with nonslip soles; heavy duty, nonslip gloves and hearing/eye protection. Wear a safety hard hat as required.

- Always assume the digging location contains buried underground obstructions. Contact appropriate representatives to determine if/where electrical cables, gas lines and other hazardous objects are buried BEFORE operation.

- Know how controls operate. Know how to stop the engine in an emergency.

- Always operate the Hole Digger with the correct number of operators.

- Start and operate the Hole Digger only in a well ventilated area. Carbon Monoxide fumes from the engine are poisonous.

- Do not operate with onlookers close by. Caution all onlookers to stand clear.

Keep all foreign objects clear of the rotating auger.

- Never attempt to "ream out" an existing, smaller hole with a larger diameter auger.

- To minimize the effects of kickback, operate the Hole Digger while assuming the proper operator position.

- Operate only when/where visibility and light are adequate for the job at hand.

- Stop the engine between each hole to minimize the possibility of property damage and/or personal injury. Normal operation is on level surfaces.

- Contact with a hot engine muffler and heat shield can cause property damage and/or personal injury. Remain clear of hot engine muffler and heat shield.

Proper Operator Position**Improper Operator Positions**

- Improper leg positions. Move left foot forward of right foot. Keep legs at a comfortable distance apart.

- Handle too far from upper body.

- Arms too far from upper body.



- Improper leg positions.

- Operator leaning too far over machine. Operator position will not allow proper reaction and control in the event of kickback.

- Assume the digging location is filled with buried obstructions.

- Position Hole Digger with engine muffler facing away from operator. Start engine with left hand. Operate engine throttle control with right hand.

- Grasp operator handle firmly.

- Position left foot forward of right foot at a comfortable distance apart.

- Keep left side of handle as close to waist/leg/arms as possible to maximize leverage and control.

- Keep arms as close to upper body as possible to minimize stress.

- Keep back as vertical as possible while digging to minimize stress.

- Bend legs as needed while digging to minimize stress.

Assembly

Open the shipping carton immediately upon receipt. Visually inspect the contents of the carton for freight damage and/or missing parts. If shipping damage is evident, contact the delivering carrier immediately to arrange for an inspection of the damage by their claims representative. Federal law requires that a claim be filed within a specified time period. If missing parts are detected, notify your dealer who will assist you in obtaining them.

Included in the shipment should be the following:

- 1 each, engine/handle/transmission assembly.
- 1 each, bottle of engine oil.
- 1 each, Operator Manual.
- 1 each, Safety and Operational Information DVD.
- 1 each, applicable engine manual.
- 1 each, warranty initiation card.
- 1 each, Final Inspection Form.
- 1 each, PN 2121 Auger Pin.

The Hole Digger is shipped from the factory completely assembled. The transmission is lubricated at the factory and will not require further servicing prior to the initial usage. Visually inspect the throttle control, throttle cable assembly and the carburetor for signs of damage. Rotate the throttle control to determine that the carburetor spring allows the throttle lever of the carburetor to travel from its low speed to high speed and back position without any restriction and/or binding.



WARNING

DETERMINE THAT ALL COMPONENTS OF THE ENGINE THROTTLE CONTROL ASSEMBLY ALLOW FOR PROPER FUNCTION. THE THROTTLE LEVER OF THE CARBURETOR MUST RETURN THE ENGINE TO THE IDLE SPEED, AS STATED IN THE SPECIFICATION SECTION OF THIS MANUAL WHEN THE TWIST GRIP THROTTLE IS RELEASED BY THE OPERATOR. IF THIS DOES NOT OCCUR, CONTACT YOUR DEALER OR THE CUSTOMER SERVICE DEPARTMENT FOR SPECIFIC INFORMATION RELATIVE TO CORRECTING THIS OCCURANCE. DO NOT OPERATE THE HOLE DIGGER UNTIL THIS OCCURANCE HAS BEEN CORRECTED. AN IMPROPERLY FUNCTIONING

THROTTLE CONTROL CAN RESULT IN PROPERTY DAMAGE AND/OR PERSONAL INJURY.

Check all fasteners for security. Consult a fastener torque chart for the proper torque value if any fastener is found to require retorquing.

Before Starting the Engine

FILLING THE ENGINE CRANKCASE WITH OIL.

Tools Required:

- 1 each, small, clean funnel with a flexible extension spout.

Filling the engine crankcase with oil will require a level working platform of sufficient size and appropriate height. As an alternative, the transmission driveshaft can be securely mounted in a suitable bench vice.

- 1) Wipe any dust or dirt from the crankcase dipstick/filler plug area. Remove the dipstick/filler plug.
- 2) Using the funnel, add oil to the engine crankcase. For proper classifications and/or amount, consult the material supplied by the engine manufacturer for specific information.
- 3) Replace the dipstick/filler plug and tighten. Wipe off any excess spilled oil. Properly dispose of the spilled oil.
- 4) Consult the material supplied by the engine manufacturer for other service related information including oil change interval.



CAUTION

Do not operate the Hole Digger unless proper oil level is maintained. Improper oil level can result in property damage and/or personal injury. Consult the material supplied by the engine manufacturer for information relative to proper maintenance procedures.



Know what's below.
Call before you dig.

FILLING THE HOLE DIGGER TRANSMISSION WITH GREASE.**Application: All 200 Series models.**

The transmission is filled at the factory with 8 fluid ounces (224g) of high temperature transmission grease and should not require additional service when placing the Hole Digger into initial service. The factory utilizes the Fisk Brothers (Lubriplate Brand) GR132 grease which features an EP additive. The EP (extreme pressure) additive allows the grease to properly cling to the gear teeth and provide lubrication at high rotational speeds. Without the addition of an EP additive, normal grease will not cling to the teeth, resulting in abnormal wear and reduced service life. With normal usage, the transmission grease should not require further replacement until the centrifugal clutch assembly is replaced. For further information, refer to the **Repair** section of this manual for additional information.



CAUTION

Do not fill the Hole Digger transmission with oil. The transmission does not incorporate seals to prevent the oil from draining from the bearings and shafts. Such an occurrence will allow the oil to drain with the potential for property damage.

FILLING THE ENGINE FUEL TANK.**Application: All 200 Series models.**

Tools Required:

1 each, small, clean funnel.



CAUTION

The 240 Hole Digger utilizes an all-position, Four Stroke, gasoline engine. While this engine may have the same physical appearance of a conventional Two Stroke engine, the lubrication systems are completely different. The Subaru EH035 engine does not require oil to be mixed with gasoline. The crankcase oil does not function as a reservoir for an oil injection system.

1) Carefully clean the filler cap and surrounding area to

insure that no dirt or debris falls into the fuel tank.

2) Fill the fuel tank with fresh, clean, unleaded automotive gasoline. Leaded "regular" grade gasoline is an acceptable substitute. **DO NOT USE GASOLINE CONTAINING METHANOL (WOOD ALCOHOL).** Gasoline containing a maximum of 10 per cent ethanol or grain alcohol (sometimes referred to as Gasohol) may be used but requires special care when the engine is stored for extended periods.

3) Use of a properly blended gasoline for operation during the intended season will result in easier engine starting. Do not use gasoline left over from the previous season of operation.

4) Never fill the fuel tank completely full. Instead, fill the fuel tank to within 1/4 to 1/2 inch of the top of the tank to provide space for fuel expansion. Always wipe any fuel spillage from the engine and the Hole Digger before starting the engine.



DANGER

DO NOT SMOKE NEAR THE FUEL TANK. DO NOT FILL THE FUEL TANK WITH THE ENGINE RUNNING OR IF IT IS HOT. ALLOW AMPLE TIME BETWEEN EACH REFUELING FOR THE ENGINE TO COOL. AN IGNITION SOURCE IN CLOSE PROXIMITY TO THE FUEL TANK CAN BE THE SOURCE OF AN EXPLOSION, RESULTING IN PROPERTY DAMAGE AND/OR PERSONAL INJURY. CONSULT THE MATERIAL SUPPLIED BY THE ENGINE MANUFACTURER FOR INFORMATION RELATIVE TO PROPER FUELING PROCEDURES.

Digging Operation

OPERATIONAL DISCLAIMER.**Application: All 200 Series models.**

THE MANUFACTURER OF THIS HOLE DIGGER MAKES NO WARRANTY OR GUARANTEE THAT IT IS MERCHANTABLE AND/OR SUITABLE FOR ANY SPECIFIC JOB APPLICATION AND THAT IT WILL HAVE THE POWER REQUIRED TO DIG A SPECIFIC DIAMETER HOLE DOWN TO A SPECIFIC DEPTH IN A SPECIFIC SOIL CLASSIFICATION.

CALIFORNIA PROPOSITION 65 DISCLAIMER.

Application: All 200 Series models.



THE ENGINE EXHAUST AND DUSTS/BY-PRODUCTS FROM THE OPERATIONAL PROCESS OF THIS PRODUCT CONTAINS CHEMICALS KNOWN TO THE STATE OF CALIFORNIA TO CAUSE CANCER, BIRTH DEFECTS, OR OTHER REPRODUCTIVE HARM.

SPARK ARRESTOR DISCLAIMER.

Application: All 200 Series models.



DO NOT OPERATE THE HOLE DIGGER ON ANY FOREST COVERED, BRUSH COVERED OR GRASS COVERED, UNIMPROVED LAND UNLESS AN APPROVED SPARK ARRESTOR IS INSTALLED ON THE MUFFLER. THE SPARK ARRESTOR MUST BE MAINTAINED IN PROPER WORKING ORDER BY THE OWNER AND/OR OPERATOR. IN THE STATE OF CALIFORNIA, THE ABOVE IS REQUIRED BY LAW. OTHER STATES MAY HAVE SIMILAR LAWS. FEDERAL LAWS WILL APPLY ON FEDERAL LANDS. LAWS WILL VARY WITH USE IN SPECIFIC COUNTRIES.

INFORMATION RELATIVE TO MINIMUM COMPONENT STANDARDS FOR THE OPERATION OF THE HOLE DIGGER.

Application: All 200 Series models.

For operational, safety and overall productivity considerations, it is required that specific Hole Digger components meet minimum acceptable operational standards as follows:

1) Operator handle be properly mounted to the transmission and be of proper structural integrity. If cracking or deformation is detected, replace the operator handle with a factory approved replacement part only.

2) The twist grip throttle control be equipped with a properly fitting handle grip of sufficient integrity to allow for proper job function as outlined within this manual. A loose fitting grip or a grip without a full end cap is not permitted.

3) Throttle cable is in proper mechanical condition that allows it to perform its intended job function as outlined within this manual. A cable with bends, abrasions or other damage that restricts or limits inner wire movement must be replaced with a factory approved replacement part only.

4) Throttle control is installed in the correct operating position and be in a mechanical condition that allows it to perform its intended job function as outlined within this manual. A worn or damaged throttle control hand grip or any other, internal part must be replaced with a factory approved replacement part only. Do not operate the Hole Digger with the plastic protective cover plate not properly installed or missing. Do not allow foreign material to accumulate within the throttle control assembly. Clean all throttle control components and repair as necessary according to a regular maintenance schedule.

5) An engine ON/OFF ignition switch that allows it to perform its intended job function as outlined within this manual. Replace any damaged engine ON/OFF ignition switch with a factory approved replacement part only.

6) Centrifugal clutch assembly in proper mechanical condition that allows it to perform its intended job function as outlined within this manual. Replace any centrifugal clutch assembly with operational characteristics that do not allow it to properly disengage at the specific engine idle speed or properly slip during overload conditions.

7) Each auger is in a structural condition that allows it to perform its intended job function as outlined within this manual. Bent auger axles should not exceed established limits. Bent axles exceeding established limits should be properly discarded.

8) Earth auger(s) has/have replaceable wear parts (screw bit and blade) that allow(s) it/them to perform its/their intended job function as outlined within this manual. An auger with a screw bit and/or blade worn

past normal service life limits is not to be utilized under any circumstances.

WARNING

OPERATION OF A HOLE DIGGER UTILIZING COMPONENTS NOT MEETING MINIMUM OPERATIONAL STANDARDS CAN RESULT IN PROPERTY DAMAGE AND/OR PERSONAL INJURY.

GENERAL TRANSPORTATION INFORMATION.

Application: All 200 Series models.

When transporting the Hole Digger in/on a motor vehicle, the gasoline tank breather vent (if so equipped) must be completely closed to eliminate the accidental seepage of fuel and resulting potential fire hazard. In order to minimize the possibility of damage to the Hole Digger, always transport it to the job site with the auger disconnected. All equipment must be secured in/on vehicles with suitable strapping or tie downs. Personnel should not be transported in the same compartment as equipment and fuel supplies. Consult applicable OSHA regulations for specific information.

CAUTION

An improperly secured Hole Digger and related accessories can fall from a moving vehicle and result in property damage and/or personal injury.

DETERMINATION OF POTENTIAL SUBSURFACE HAZARDS IN THE PROPOSED DIGGING LOCATION(S).

Application: All 200 Series models.

WARNING

BEFORE ATTEMPTING TO DIG WITH THE HOLE DIGGER, DETERMINE THE POTENTIAL SUBSURFACE HAZARDS WHICH MAY EXIST IN THE PROPOSED DIGGING LOCATIONS(S). POTENTIAL SUBSURFACE HAZARDS MAY INCLUDE, BUT NOT BE LIMITED TO, THE

FOLLOWING:

- 1) ROCKS OF ANY SPECIFIC SIZE.
- 2) ROOTS OF ANY SPECIFIC SIZE.
- 3) DIFFERENCES AND/OR VARIANCES IN SPECIFIC SOIL CLASSIFICATIONS.
- 4) BURIED MATERIALS SUCH AS GARBAGE AND OTHER DEBRIS.
- 5) BURIED PRESSURIZED PIPELINES CONTAINING SUCH MATERIALS AS NATURAL GAS, PROPANE, ETC.
- 6) BURIED ELECTRICAL CABLES.

DANGER

BEFORE ATTEMPTING TO DIG WITH THE HOLE DIGGER IN THE PROPOSED LOCATION(S), CONTACT ALL APPROPRIATE AGENCIES TO DETERMINE THE EXACT LOCATION(S) OF ALL BURIED PIPELINES, POWER LINES AND MATERIAL DEBRIS. MANY UTILITIES AND OTHER AGENCIES WILL PERFORM THIS TASK FOR A MINIMAL COST OR AT NO COST. HAVE ALL SUBSURFACE HAZARDS MARKED FOR EASY RECOGNITION. DIRECT CONTACT WITH THESE AND OTHER SUBSURFACE HAZARDS CAN RESULT IN PROPERTY DAMAGE AND/OR PERSONAL INJURY.

SET UP FOR DIGGING.

Application: All 200 Series models.

- 1) The Hole Digger is designed for one operator to transport it by the operator handle to, while on, and from the job site. Connect the auger to the Hole Digger with the correct, factory-supplied auger pin. All 200 Series Hole Diggers utilize the 3/8 inch (9.5 mm) diameter pin, PN 2121 Auger Pin to connect to round section of shaft. FIGURE 2.

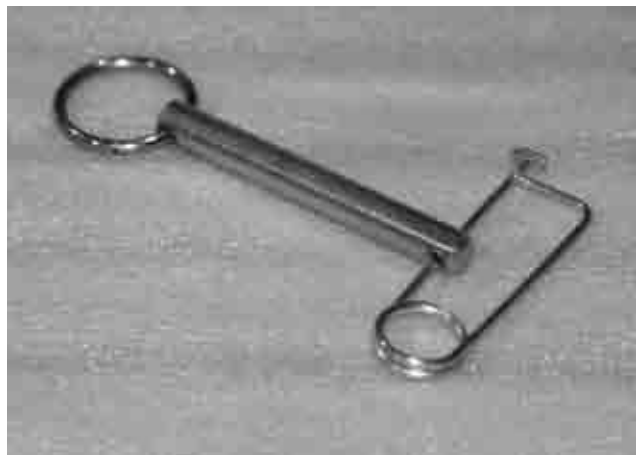


FIGURE 2

CAUTION

The auger pin supplied with the Hole Digger is designed to withstand the high stress encountered while digging. Use of any other connecting device, including cap screws, bolts, pins, etc., can result in damage to the Hole Digger driveshaft and/or auger drive hub. Improper connecting devices can cause property damage and/or personal injury.

DANGER

DO NOT CONNECT THE AUGER TO THE HOLE DIGGER WITH THE ENGINE RUNNING. A SUDDEN CHANGE IN THE ENGINE SPEED WILL RESULT IN HOLE DIGGER DAMAGE AND/OR PERSONAL INJURY.

DANGER

THE 240 HOLE DIGGER IS DESIGNED FOR ONE MAN OPERATION. USE BY MORE THAN ONE OPERATOR WILL LEAD TO CONFUSION AND LOSS OF CONTROL, RESULTING IN HOLE DIGGER DAMAGE AND/OR PERSONAL INJURY.

WARNING

THE CONTROLS ARE DESIGNED FOR THE OPERATOR TO CHOKE AND START THE ENGINE WITH THE LEFT HAND WHILE OPERATING THE THROTTLE CONTROL WITH THE RIGHT HAND. WITH THIS INTENDED OPERATING POSITION, THE ENGINE EXHAUST MUFFLER WILL FACE OPPOSITE THAT OF THE OPERATOR. THE RESULTING FUMES AND HEAT WILL BE DIRECTED AWAY FROM THE OPERATOR. DO NOT OPERATE THE HOLE DIGGER WITH THE ENGINE EXHAUST MUFFLER/SHIELD FACING TOWARD THE OPERATOR. THIS OPERATION POSITION WILL ALLOW THE OPERATOR TO COME IN CONTACT WITH THE HOT SURFACE OF THE ENGINE MUFFLER/SHIELD AND RESULT IN PROPERTY DAMAGE AND/OR PERSONAL INJURY. IT WILL ALSO ALLOW THE OPERATOR TO INHALE HIGH LEVELS OF CARBON MONOXIDE THAT CAN RESULT IN PERSONAL INJURY.

STARTING THE ENGINE WITH THE AUGER CONNECTED TO THE TRANSMISSION DRIVESHAFT.

Application: 240 Hole Digger powered by the Subaru EH035V engine.

1) Grass and other overgrowth conditions will hamper the digging characteristics of any earth auger by becoming "clogged" around the auger blade and screw bit. Removal of such obstructions from the hole location will increase digging efficiency and overall productivity.

2) Place the Hole Digger on the desired hole location. The engine throttle is intended to be controlled by the operator's right hand. The engine is intended to be started by the operator's left hand. Do not operate the Hole Digger with the engine throttle control being controlled by the operator's left hand. The operator should position himself on firm footing. FIGURE 3.



FIGURE 3

3) Turn the engine ON/OFF ignition switch to the ON position. The switch is located near the underside of the engine carburetor. FIGURE 4.



FIGURE 4

4) Depress the engine primer system bulb 7 to 10 times to help feed fuel directly into the carburetor. FIGURE 5.



FIGURE 5

5) If the engine is cold or the ambient temperature is low, move the choke control lever to the left/closed position (away from the fuel tank) to deploy the engine choke mechanism. A warm (previously run) engine may not require choking. FIGURE 6.

CAUTION

Proper operation of the choke lever moves it in a left to right direction as viewed by the operator. Do not attempt to move the choke lever in a fore and aft direction. Such action can result in damage to the choke control mechanism.



FIGURE 6

6) It is not necessary to open the engine carburetor with the throttle control to start the engine. Grip the throttle control with the right hand. This procedure is to be followed regardless of the ambient temperature.

7) Using the left hand, pull the engine starter handle slowly, until resistance is felt. This is the compression point. Return the starter handle to its original position and pull swiftly. Do not pull the rope out to its maximum, extended length. Repeat as necessary for the engine to start. Allow the starter handle to retract slowly. If the engine does not start after five pulls, stop and consult the material supplied by the engine manufacturer.

8) Allow the engine to properly "warm up" and operate without the requirement for engine choke. As the engine warms up, move the choke lever up to the right/open position (toward the fuel tank). In cold weather, initial starting will require more pulls because an extremely rich fuel/air mixture is required. Check for proper centrifugal clutch operation, excessive transmission noise and/or vibration.

9) Stopping the Hole Digger is accomplished by releasing the twist grip throttle control to its maximum, closed (engine idle speed) position and then turning the engine ON/OFF ignition switch to the OFF position. The switch is located near the underside of the engine carburetor.

CAUTION

If the Hole Digger and/or an individual component/accessory does not appear to be functioning properly, STOP and do not further operate the Hole Digger until the corrective action has been completed. If there are any questions regarding the proper operation of the Hole Digger, contact the dealer or the Customer Service Department for assistance BEFORE further utilization. There is no charge for this service.

OPERATING THE HOLE DIGGER.

Application: All 200 Series models.

1) Do not attempt to begin digging with the Hole Digger until the operator is ready to begin the process and is in full control of the machine.

2) Rotate the twist grip throttle control counterclockwise to increase the engine speed. The

auger will begin to rotate when the engine speed reaches the centrifugal clutch initial engagement speed.

3) Normal operating procedure for the Hole Digger is to dig with the engine operating at full speed. This will allow the centrifugal clutch to become more firmly engaged. This procedure will transmit more usable power to the auger, resulting in greater productivity and less component wear.

CAUTION

When digging in areas filled with known buried obstructions such as tree roots, rocks and other debris, operate the Hole Digger at less than full (an intermediate) speed to insure a more rapid release of the centrifugal clutch when an obstruction is encountered. This is an industry wide operating procedure.

4) The Hole Digger is equipped with a centrifugal clutch assembly within the transmission, designed to slip whenever overloaded or if the auger comes in contact with a buried obstruction. Newton's Laws of Physics allow the centrifugal clutch assembly to ALWAYS slip whenever overloaded or if the auger comes in direct contact with a buried obstruction. The term slippage is not intended to infer that the centrifugal clutch assembly becomes fully disengaged with no horsepower and torque being transmitted to the auger. In the slipping mode, a centrifugal clutch still transmits a specific amount of horsepower and torque to the auger. This specific amount of horsepower and torque is directly proportional to many factors including: the mechanical condition of the centrifugal clutch assembly and the rotational speed of the centrifugal clutch assembly when the initial slippage occurs. The response time for the centrifugal clutch assembly to react to an overload condition is directly proportional to its rotational speed. The higher the rotational speed (RPM) of the centrifugal clutch at the time of overload, the greater amount of time it requires to react and actually slip. This phenomenon is inherent with all centrifugal clutch assemblies. It is also inherent with all powered equipment incorporating such a device.



DANGER

STRIKING BURIED OBSTRUCTIONS SUCH AS TREE ROOTS, ROCKS AND OTHER DEBRIS AT ANY SPECIFIC ENGINE OPERATING SPEED CAN CAUSE THE HOLE DIGGER TO TRANSMIT REACTIONARY TYPE "IMPACT" LOADS TO THE OPERATOR. THESE TYPES OF LOADS ARE CHARACTERIZED BY A SHARP, PULSATING MOVEMENT OF THE HOLE DIGGER IN A COUNTERCLOCKWISE DIRECTION (AS VIEWED BY THE OPERATOR). SUCH LOADS CAN LEAD TO THE LOSS OF OPERATOR CONTROL AND RESULT IN PERSONAL INJURY. THE OPERATIONAL EFFECTS ARE ALIKE TO THAT OF UTILIZING A COMMON ELECTRIC DRILL AND OTHER, ROTATION TYPE, POWERED EQUIPMENT. THE RELATED PHENOMENON IS INHERENT WITH ALL SUCH TYPES OF ROTATION TYPE, POWERED EQUIPMENT AND IS TERMED AS KICKBACK.

UNDERSTANDING KICKBACK.

Application: All 200 Series models.

The operation of the Hole Digger involves engine torque being transmitted and multiplied by the transmission to the auger. The energy is then used to dig holes. But to every force (action), there is always a reaction force in the opposite direction. Thus, if the auger contacts a buried obstruction, the operator will feel the left side of the handle of the Hole Digger being "thrust" toward him. This "thrusting" force experienced by the operator is called kickback. The speed that the handle moves (and magnitude of the resulting impact force) is directly proportional to the amount/speed of the kickback force experienced by the operator. The torque and kickback generated by the digging process is inherent with a portable, one man Hole Digger of this type. The operational effects are alike to that of utilizing a common, electric drill and other, rotation type, powered tools.

BACK CARE/PROPER LIFTING INFORMATION

Application: All 200 Series models.

In addition to kickback forces encountered during the

hole digging process, the operator will be required to lift the Hole Digger and auger/auger extension with numerous repetition, as demanded by the specific job application. Utilizing proper lifting techniques will minimize fatigue and back-related injuries while increasing overall productivity rates.

ANATOMY

The human body is supported by the spinal column. The spinal column consists of thirty separate bones called vertebrae, all linked and supported by a series of tiny muscles. Small pads called discs are situated between each vertebrae and act like shock absorbers to cushion the pressure created from external forces. The spinal column is wrapped by a system of nerves and has three natural curves:

Cervical: from the base of the neck to the brain.
Thoracic: situated from the middle to the lower back.
Lumbar: located from the lower back to the buttocks area.

These three curves need to be kept in natural alignment in order to prevent discomfort.

PREVENTATIVE MEASURES

Most occupational physicians agree on several "universal" preventative measures that an operator should follow to help lower the risk of back-related injuries:

- 1) Maintain proper body weight.
- 2) Maintain good posture while walking or sitting.
- 3) Be conscious of how you twist and bend your body while digging. Twisting and bending the wrong way can exert too much pressure on one side of your vertebrae.
- 4) Always use proper lifting techniques as described below.
- 5) Develop a consistent exercise routine.
- 6) Eliminate or reduce your use of tobacco. Smoking reduces the supply of oxygen and nutrients to the discs that cushion the vertebrae.

PROPER LIFTING PROCEDURES

The following are guidelines for properly lifting the Hole digger and auger/auger extension from the hole and are not intended to be all inclusive. Plan your path and make sure there are no obstructions or tripping hazards. Consider how you will set the load. The spinal column is a very sensitive mechanism. At any given time, improper lifting procedures can cause damage that can lead to injury.

- 1) Position your feet at a comfortable distance (shoulder width) to help provide the necessary balance.
- 2) Tighten your stomach muscles by pulling in your stomach. Keep your back as straight as possible to keep the spine, back muscles and ligaments in correct alignment.
- 3) Remember to bend at the hips and knees as much as possible.
- 4) Start lifting the Hole Digger with a thrust of your feet while lifting as much as possible with your leg muscles. Use smooth movements.
- 5) Once you lift the Hole Digger, keep it close as possible to the body. Avoid turning at the waist. To turn, pivot your entire body.
- 6) Keep your shoulders, hips and feet pointed in the same direction.
- 7) Keep your footing firm and make sure that your intended path is clear before attempting to carry the Hole Digger.

MINIMIZING KICKBACK FROM AN OPERATIONAL STANDPOINT.

Application: All 200 Series models.

The operator should keep the left side of the handle as close to his body (left hip and leg areas) as possible to minimize machine "kickback" when a buried obstruction is encountered by the auger. Assume operating positions that allow exercising reactive "body english" against the torque sensation created by the digging process. Keep upper arms as close to the upper body as possible to maximize mechanical leverage. An operator should position his back as

vertical as possible by bending the legs as required during the digging process. Positioning the left foot ahead of the right foot at a comfortable distance will enhance proper body position. Maintaining proper operating position is one of the most IMPORTANT and EFFECTIVE procedures for controlling kickback. Improper operating positions only aggravate the effects of kickback upon the operator. FIGURE 7 depicts a proper operator position. FIGURE 8 depicts an improper operator position.



FIGURE 7



FIGURE 8

Keep a firm, but steady, grip on the operator handle. Wrap your fingers around the handle and handle grip areas, keeping them cradled between the thumbs and forefingers. REMEMBER- PROPER OPERATOR POSITIONS ENHANCE THE CONTROL OF THE HOLE DIGGER, REDUCE OPERATOR FATIGUE, AND INCREASE OVERALL PRODUCTIVITY.

CAUTION

Maintain the operator handle and throttle control handle grip areas in good condition and free of moisture, pitch, oil or grease. Wear gloves to improve your grip. Bent and damaged handles, a throttle control with a damaged/no grip or handles without the gripping area material (PVC coating) aggravate the effects of kickback upon the operator by limiting control and comfort. Do not operate the Hole Digger until such damage has been repaired and/or replaced. Damage to property and/or personal injury can result.

CAUTION

Always assume that any digging site can include some form of buried obstruction. Always be prepared for unexpected auger contact with buried tree roots, rocks, etc. Under certain operating conditions, striking a buried obstruction can produce a severe and/or sudden kickback force to the hip and/or leg areas. It is possible that this kickback force can have the magnitude to "throw" the operator from the Hole Digger. The operator must maintain physical and mental alertness and be prepared to accommodate this phenomenon. Failure to properly accommodate this phenomenon can result in property damage and/or personal injury.

WARNING

IF, DURING THE HOLE DIGGING PROCESS, THE OPERATOR LOOSES FULL CONTROL OF THE HOLE DIGGER FOR ANY REASON, THE FOLLOWING PROCEDURE IS SUGGESTED:

AS A GENERAL RULE, AS SOON AS THE OPERATOR REALIZES HE IS IN THE PROCESS OF LOOSING FULL CONTROL OF THE HOLE DIGGER, HE SHOULD "PUSH" HIMSELF FREE AND CLEAR FROM THE OPERATOR HANDLE. THE PROCEDURE REQUIRES THE OPERATOR TO FULLY COMPREHEND THAT HE IS LOOSING CONTROL OF THE HOLE DIGGER AND TO REACT ACCORDINGLY WITH APPROPRIATE BODY MOVEMENT. IMPROPER REACTIONS TO THIS PHENOMENON CAN RESULT IN PROPERTY DAMAGE AND/OR PERSONAL INJURY.

WARNING

A HOLE DIGGER WITH AN IMPROPERLY MAINTAINED ENGINE THROTTLE CONTROL WILL "SPIN" ABOUT ITS AXIS WHEN THE OPERATOR LOOSES FULL CONTROL. IN THE EVENT OF THIS OCCURRENCE, DO NOT ATTEMPT TO STOP THE ENGINE BY GRASPING THE ROTATING OPERATOR HANDLE. DO NOT INTRODUCE ANY FOREIGN OBJECT IN AN ATTEMPT TO STOP AND/OR BLOCK THE ROTATING HANDLE. INSTEAD, ALLOW THE ENGINE TO EXHAUST ITS FUEL SUPPLY. DETERMINE THAT ALL COMPONENTS OF THE ENGINE THROTTLE CONTROL ASSEMBLY ALLOW FOR PROPER FUNCTION BEFORE ATTEMPTING TO FURTHER UTILIZE THE HOLE DIGGER.

MINIMIZING KICKBACK FROM A DESIGN STANDPOINT.

Application: All 240 Series models.

1) The 240 Hole Digger features the widest operator handle of any machine in its class. The handle is biomechanically positioned to enhance control by allowing the operator to exert "body english" against the torque and kickback generated by the digging process.

2) The Hole Digger utilizes an antivibration material (PVC coating) that is applied to the operator handle during the manufacturing process. This material is

intended to enhance control and help dampen the torque and kickback experienced by the operator during the digging process.

3) The Hole Digger utilizes a twist grip throttle control. This type of throttle control device was selected over other configurations (for the operator handle configuration utilized and specific digging power) because it allows the operator to wrap his thumb around the forefinger and effectively maximize the strength in his right hand. This design feature affords the operator greater control of the machine when counteracting the effects of torque and kickback during the digging process.

4) The Hole Digger is designed to utilize the General Equipment Company PN 2121 Auger Pin to retain the earth auger to the transmission driveshaft. This pin is not intended to shear and absorb kickback related forces when the earth auger comes in sudden contact with a buried object. The pins are utilized for the following reasons:

a) Such an occurrence (pin shear) would result in extensive physical damage to the driveshaft and auger drive hub.

b) Even if the physical damage to the Hole Digger could be eliminated and/or minimized from the actual process, it could require an unknown (and potentially large) number of auger pins to complete the digging process for any specific hole.

c) Even if the cost of replacement auger pins is not a factor, the resulting productivity produced by the actual process would not be deemed acceptable by industry and/or social standards for the Hole Digger.

d) Given the infinite number of soil conditions which could be encountered during the actual process, it is impossible to design and supply a specific auger pin to shear at a specific torque value which would produce acceptable operational results for the Hole Digger.

e) Given the infinite number of potential operators and their methods utilized during the actual process, it is impossible to design and supply a specific auger pin to shear at a specific torque value which would produce acceptable operational results for the Hole Digger.

f) Given the infinite number of combinations of soil conditions, auger diameters, auger boring head conditions, digging depths, mechanical operating conditions, operators and operator methods encountered during the actual process, it is impossible to design and supply a specific auger pin to shear at a specific torque value which would produce acceptable operational results for the Hole Digger.

5) For comparison purposes, it is interesting to note that portable electric drills do not utilize any torque limiting or clutch device to allow the drill bit to slip at any specific torque value for drilling purposes. As with a Hole Digger, such a device would make the drill a useless tool because of the infinite number of potential operating configurations and the inability to design specific components to meet the requirements of each operating configuration.

6) Many portable electric screwdrivers incorporate a torque limiting or clutch device which allows the operator to preset the torque output of the tool to a specific value. This is especially useful and desirable when hardware can be secured to specific torque values according to industry published standards.

7) Portable electric drills and screwdrivers are two separate tools designed for different and specific job applications. The drilling process has different requirements than the fastening process offered by screwdrivers. The operational characteristics of portable electric screwdrivers can not be confused and/or substituted for the operational characteristics of the Hole Digger.

OPERATING THE HOLE DIGGER CONTINUED.

Application: All 200 Series models.

5) Auger boring heads are designed for digging in a wide variety of soil types and/or conditions. Each boring head design represents a compromise in overall digging efficiency, productivity and service life for any given soil condition. As a general rule, pressing down on the operator handle is not required to initiate and/or sustain the digging process. In most soils of moderate Proctor Densities, augers will dig at rates that will not cause the centrifugal clutch to overload and slip. In most soft soils of low Proctor Densities (sandy, etc.), it may be necessary to hold up on the operator handle to

reduce the digging rate of the auger. The natural tendency of any auger design, in low Proctor Density soil conditions, is to dig at a rate which causes the centrifugal clutch to overload and slip. In most hard soils of high Proctor Densities (hard clay, etc.), it may be necessary to press down on the operator handle to establish and maintain acceptable digging rates. Proper digging procedure for any given soil condition is the accumulation of actual experience, skill and common sense. For any given soil condition, allow the auger to dig at the rate most comfortable to the operator, yet not causing the centrifugal clutch to overload and slip.

CAUTION

An improper operating procedure can allow the auger to "bind" and/or "bury" itself in the hole. This is usually the result of allowing the auger to feed at an excessive rate. This phenomenon is also characteristic of digging with smaller (2 to 4 inch) diameter augers. In this operating condition, the Hole Digger is not capable of transmitting ample power to "free" the auger. Do not continue to overload and slip the centrifugal clutch assembly.

CAUTION

Damage to property and/or personal injury can result if the operator loses partial and/or full control of the Hole Digger while in this configuration. STOP the Hole Digger and remove it from the buried auger. The buried auger can then be retrieved by various, industry accepted methods. Contact the Customer Service Department for specific information. There is no charge for this service.

6) Some soil conditions may require more power to dig the hole than the Hole Digger is capable of delivering for a given auger diameter. This problem is more noticeable in areas of semiconsolidated soils or compacted soils having high Proctor Densities. Examples of such soil types include: soft shale, hard pan and cliche. The power required to dig a hole is directly proportional to the soil resistance encountered by the auger and the square of the auger diameter. For example: an 8 inch diameter auger requires almost 2

times the power than that of a 6 inch diameter, given identical soil conditions. This problem is best minimized by the addition of suitable down force by the operator and by utilizing augers equipped with new, replacement screw bits and teeth. The manufacturer makes no guarantee that the Hole Digger is capable of digging a hole of specific diameter in any given soil condition. Contact the Customer Service Department for information relative to your specific requirements. There is no charge for this service.

DANGER

IT IS A MISCONCEPTION THAT A LARGER DIAMETER HOLE CAN BE OBTAINED BY FIRST DIGGING AN INITIAL HOLE WITH A SMALLER "PILOT" AUGER AND THEN UTILIZING A LARGER DIAMETER AUGER TO "REAM" THE HOLE TO THE DESIRED SIZE. THIS METHOD WILL NOT ALLOW THE AUGER SCREW BIT TO PRODUCE SUFFICIENT DIRECTIONAL STABILITY FOR THE LARGER DIAMETER AUGER DURING THE "REAMING" PROCESS. THIS METHOD WILL RESULT IN PROPERTY DAMAGE, LOSS OF OPERATOR CONTROL AND/OR PERSONAL INJURY.

7) When digging in areas filled with tree roots, small rocks or other, buried obstructions, allow the auger blade to "chip away" at the obstruction until the auger can pass by (by working the object loose) or go through it (as in the case of penetrating tree roots). This technique usually involves holding up on the operator handle and establishing a minimal feed rate for the auger. Proper operator position will minimize the effects of kickback being generated by the auger blade contacting the object. As with any hole digging procedure, the mechanics of this technique require the accumulation of actual experience and common sense to maximize its effectiveness. Many times the size and nature of the buried object will simply prevent the auger from passing by or going through it. Continued use of the Hole Digger will only contribute to equipment damage and/or personal injury. Instead, remove the buried object with a shovel or other suitable tool and proceed to dig the hole with the Hole Digger to the desired depth.



CAUTION

Some job applications may encounter buried obstructions on the job site that are too large in size to allow the usage of a machine such as and/or with the operating limitations of the Hole Digger. Utilization of the Hole Digger on these job sites can cause property damage and/or personal injury. Exercise proper common sense by selecting the proper size and/or type of equipment for the intended job application.



CAUTION

Some job applications may encounter soil classifications that are too compacted to allow the usage of a machine the size and/or with the operating limitations of the Hole Digger. Utilization of the Hole Digger on these work sites can cause property damage and/or personal injury. Exercise proper common sense by selecting the proper size and/or type of equipment for the job application.

8) In most soil conditions, the auger will retract with less effort if allowed to rotate at a slow speed. This procedure, however, will leave more loose soil at the bottom of the hole. To minimize the amount of loose soil that remains at the bottom of the hole, stop the rotation before retracting the auger. Proper procedure for obtaining the cleanest, most usable hole for any given soil condition requires the accumulation of actual skill, experience and common sense.

9) The twist grip throttle controls the digging process by regulating the engine speed. Keep a firm grip on it at all times. As with any safety device, it requires constant and proper maintenance to function as intended.

10) Attempting to restart the Hole Digger's engine with the auger in a partially or completely dug hole requires extra caution. In this configuration, the throttle control can be advanced beyond the idle speed position before the operator can exercise proper control of the Hole Digger. The more accepted procedure (when not utilizing the nonflighted auger extension) is to first remove the unit from the hole and restart the engine according to the described method. Return the unit to

the hole with the engine running at idle speed (the auger should not be rotating) and proceed to dig the hole to the desired depth.



CAUTION

Restarting the engine with the auger in a partially or completely dug hole requires a higher degree of operator experience, skill and common sense over that of an introductory or novice level of expertise. The manufacturer is aware that many operators elect to restart the Hole Digger's engine with the auger in a partially or completely dug hole on a regular basis while in the field. The manufacturer also realizes that this procedure must be utilized when the nonflighted auger extension is utilized to extend the digging depth. The manufacturer has no control over the experience, skill and common sense levels of each operator of the Hole Digger. The manufacturer has no control over each job site or specific job application for the Hole Digger.



CAUTION

Individual operator experience, skill, common sense, job site location and specific job application must affect the final decision on specific operating procedures for the Hole Digger. Each operator must decide if he possesses adequate/proper experience, skill and common sense for operating the Hole Digger for any given and/or specific job application.

11) Both the auger blade and screw bit must be replaced when signs of excessive wear are visible. A regularly scheduled maintenance program will increase the service life of the auger and increase overall productivity by substantially reducing operator fatigue. An auger that requires discarding because of excessive wear to the blade and screw bit is depicted in FIGURE 9.



CAUTION

Do not utilize an auger with the blade and screw bit worn past their specific service limits. Excessive wear to the blade and screw bit will allow the auger

flighting to wear in a tapered or inverted cone configuration. The work boring head may actually be only capable of digging a hole 60 to 75 percent of the nominal diameter of the auger. This configuration will allow the auger flighting to “bind” within the hole and substantially reduce operator control and productivity.



FIGURE 9

12) Avoid placing serious stress to the back and lower body members. Always lift in a straight line with your legs. Maintain the back in a vertical position as much as allowed by the digging process. Proper wrist position during the digging process can minimize and/or reduce stress and strain related damage potential to this body area. Operator control can be enhanced and fatigue reduced by attempting to keep wrists as perpendicular to the operator handle as feasible during the digging process. See **BACK CARE/PROPER LIFTING PROCEDURES**. FIGURE 10.



FIGURE 10

13) Stop the engine between each hole to minimize the possibility of personal injury. Special care must be exercised in slippery conditions and in difficult, overgrown terrain. Store the Hole Digger on the job site by digging a shallow hole or by disconnecting it from the auger and/or nonflighted auger extension. Close the gasoline tank breather vent (if so equipped) when the Hole Digger is not in use.

STOPPING THE HOLE DIGGER.

Application: 240 Hole Digger powered by the Subaru EH035V engine.

Stopping the Hole Digger is accomplished by rotating the twist grip throttle control to its maximum, closed position and allowing the engine to return to its idle speed. Turn the engine ON/OFF ignition switch to the OFF position. With the throttle control functioning properly, the engine can be brought to idle speed and the auger rotation stopped when the throttle control lever is fully closed or suddenly released. If this is not occurring, check the throttle control, throttle cable, carburetor lever, and engine idle speed for binding and/or improper adjustment.

TEMPORARY STORAGE FOR THE HOLE DIGGER WHILE ON THE JOB SITE.

Application: All 200 Series models.

The Hole Digger can be temporarily stored on the job site by one of three acceptable methods. The chosen

method is to be determined by the operator based upon personal preference and/or job site conditions:

a) Digging a shallow hole and leaving the Hole Digger connected to the auger with the engine not running. FIGURE 11.



FIGURE 11

b) Disconnecting the Hole Digger from the auger and/or auger extension and storing it in a level configuration. FIGURE 12.



FIGURE 12

c) Storing the Hole Digger while connected only to a lead auger with the engine spark plug facing upward. This configuration minimizes the potential for the hot muffler and/or muffler heat shield area igniting grass or other combustible materials. FIGURE 13.



FIGURE 13

DANGER

DO NOT STORE THE HOLE DIGGER WITH THE ENGINE OPERATING. IMPROPER STORAGE METHODS CAN RESULT IN PROPERTY DAMAGE AND/OR PERSONAL INJURY.

WARNING

DO NOT ALLOW THE HOLE DIGGER TO DROP AND IMPACT AGAINST THE GROUND. SUCH ACTION CAN RESULT IN DAMAGE TO THE TWIST GRIP THROTTLE CONTROL AND ENGINE. A THROTTLE CONTROL THAT DOES NOT OPERATE PROPERLY CAN RESULT IN PROPERTY DAMAGE AND/OR PERSONAL INJURY.

ADDING AND REMOVING THE NONFLIGHTED AUGER EXTENSION.

Application: All 200 Series models.

Many digging jobs require a hole deeper than that provided by standard length augers. For many such requirements, a nonflighted auger extension is

available. The nonflighted auger extension extends the digging depth by an additional 15 inches (381 mm).

CAUTION

Utilization of the nonflighted auger extension requires additional operator experience, skill and common sense over that of an introductory or novice level of expertise. The manufacturer has no control over the experience, skill and common sense levels of each operator of the Hole Digger. Utilization of the nonflighted auger extension requires the accumulation of actual hole digging experience, skill and common sense. Each operator must decide if his experience, skill and common sense level is sufficient to allow him to proceed with the utilization of the nonflighted auger extension for any given and/or specific job application.

Follow this accepted procedure for utilizing the nonflighted auger extension to extend the digging depth:

- 1) Dig to the approximate full depth of the auger utilizing the described operating instructions. Remove as much loose soil from the hole as possible utilizing the described operating instructions.
- 2) STOP the engine and remove the auger from the hole. Disconnect the spark plug wire to prevent accidental engine starting. Close the gasoline tank breather vent (if so equipped).
- 3) Disconnect and remove the Hole Digger from the auger. Place the auger in the hole. Attach the auger extension to the auger and secure with an auger pin. The Hole Digger can now be connected to the auger extension and secured with an auger pin. Reconnect the spark plug wire.
- 4) Follow the instructions outlined for starting and operating the Hole Digger. Use extra caution when starting the Hole Digger's engine with the auger in the hole. Proceed to dig to the desired depth or to the full depth of the auger extension.

WARNING

NEVER UTILIZE MORE THAN ONE NONFLIGHTED AUGER EXTENSION TO INCREASE THE DIGGING DEPTH OF THE AUGER. THIS EXTENSION IS NOT EQUIPPED WITH AUGER FLIGHTING TO ELEVATE THE LOOSE BORINGS FROM THE HOLE. CONSEQUENTLY, MULTIPLE USE OF NONFLIGHTED AUGER EXTENSIONS WILL ALLOW THE AUGER TO "BURY" ITSELF IN THE HOLE. SUCH USE CAN LEAD TO THE LOSS OF OPERATOR CONTROL AND/OR PERSONAL INJURY.

After the desired digging depth has been achieved, the nonflighted auger extension is removed by utilizing this accepted procedure:

- 1) Remove as much loose soil from the hole as possible with the auger rotating at an intermediate speed. STOP the engine and disconnect the spark plug wire to prevent accidental engine starting. Close the gasoline tank breather vent (if so equipped).
- 2) Lift the auger extension and the Hole Digger up far enough out of the hole so that the auger extension is clear. Block the remaining auger with an auger fork to prevent it from falling back into the hole. Disconnect the Hole Digger from the auger extension. Remove the auger extension and auger from the hole. FIGURE 13.
- 3) Reconnect the engine spark plug wire.



FIGURE 13

WARNING

THE PROCEDURE OUTLINED FOR THE USE OF THE NONFLIGHTED AUGER EXTENSION OFFERS THE MOST ADAPTABLE METHOD OF EXTENDING THE DIGGING DEPTH FOR THE WIDEST CROSS SECTION OF PROBABLE OPERATORS. THIS PROCEDURE TAKES INTO ACCOUNT ANTICIPATED OPERATOR EXPERIENCE, SKILL AND COMMON SENSE. THE MANUFACTURER IS AWARE THAT NOT ALL OPERATORS WILL ELECT TO FOLLOW THIS PROCEDURE. THE MANUFACTURER HAS NO CONTROL OVER INDIVIDUAL OPERATION PROCEDURES AND/OR DECISIONS. MANY OPERATORS MAY ELECT TO UTILIZE THE NONFLIGHTED AUGER EXTENSION CONNECTED DIRECTLY TO THE AUGER AND BYPASS THE LONGER, MORE TIME CONSUMING PROCEDURE OUTLINED ABOVE. INDIVIDUAL OPERATORS MAY ELECT TO CHOOSE OTHER PROCEDURES IN AN EFFORT TO REDUCE THE ASSOCIATED PRODUCTION COSTS. THE RESULTING MACHINE CONFIGURATIONS CAN PLACE THE HANDLE ALMOST LEVEL WITH (OR EVEN ABOVE) THE SHOULDERS OF THE OPERATOR. AT THIS HEIGHT LEVEL, THE HOLE DIGGER IS DIFFICULT TO CONTROL AGAINST POSSIBLE KICKBACK FORCES. THIS IS NOT A MANUFACTURER APPROVED PROCEDURE

BECAUSE IT REQUIRES EACH POTENTIAL OPERATOR TO HAVE EXCEPTIONAL HEIGHT AND EXPERT WORK EXPERIENCE, SKILL AND COMMON SENSE. UNFORTUNATELY, THERE IS STILL NO REAL ASSURANCE THAT EACH AND EVERY OPERATOR WITH EXCEPTIONAL HEIGHT AND EXPERIENCE, SKILL AND COMMON SENSE CAN ALWAYS EXERCISE ADEQUATE CONTROL OF THE HOLE DIGGER TO GUARANTEE PERSONAL SAFETY. PERSONAL SAFETY CAN NEVER BE GUARANTEED FOR ANY GIVEN AND/OR SPECIFIC JOB APPLICATION FOR ANY TYPE OF POWERED EQUIPMENT. THE ACCEPTED PROCEDURE, AS OUTLINED IN THIS OPERATOR'S MANUAL, IS STRONGLY RECOMMENDED. THE MANUFACTURER CAN NOT CONDONE AND/OR APPROVE ANY OTHER PROCEDURE.

Service

WARNING

DO NOT PERFORM SERVICE AND/OR REPAIR RELATED FUNCTIONS WITH THE HOLE DIGGER MOUNTED TO THE 999 SERIES DISPLAY STANDS. THESE STANDS ARE NOT DESIGNED AND/OR INTENDED FOR THESE FUNCTIONS. SUCH USE CAN RESULT IN PROPERTY DAMAGE AND/OR PERSONAL INJURY.

CHANGING THE HOLE DIGGER TRANSMISSION LUBRICANT.

Application: All 200 Series models.

Tools Required:

- 1 each, 7/16 inch wrench
- 1 each, #2 Phillips head screwdriver
- 1 each, torque wrench, 120 inch pounds (13.5 N.m.) capacity with 7/16 inch socket
- 1 each, rubber hammer

Parts Required:

- 1 each, PN 240-0100 gasket.
- 1 each, PN 210-0720 grease packet or 8 ounces (224g) of high temperature transmission or marine-grade, wheel bearing grease classified for extreme

pressure (EP) applications. Fisk Brothers (Lubriplate brand) GR132 is an approved lubricant.

The 240 Hole Digger utilizes a fully enclosed, double reduction transmission for multiplying and transmitting engine torque to the auger. The principle involves engine horsepower and torque being transmitted through a centrifugal clutch and two sets of gear reductions into a final driveshaft. Grease is provided for lubrication and heat dissipation for the bearings, gears and clutch assembly.

A pressure relief valve, PN 5677, is located on the top surface of the transmission cover to relieve any excess pressure created in the transmission due to heat rise. Should this valve become plugged, the following problems can occur:

- a) Lubrication grease can be forced out between the bearings and the final driveshaft.
- b) The gasket that separates the two halves of the transmission can push out, causing a loss of lubrication grease.

The potential for these problems can be minimized by cleaning the pressure relief valve at regular intervals with an approved safety solvent. The transmission is shipped from the factory filled with approximately 8 ounces (224g) of high temperature lubricant. This lubricant contains an extreme pressure additive which is designed to cling to the gear teeth at high rotational speeds.

- 1) Change the transmission lubricant every 50 hours of operation, or more often as necessary, if the Hole Digger is operated in extremely dusty or dirty conditions.
- 2) Drain the fuel from the fuel tank into a UL® approved container. Wipe any excess spilled fuel and dispose of properly. Refer to the **Service** section for more detailed information.
- 3) Position the Hole Digger on a suitable work bench with the operator handle level with the ground. As an alternative, the transmission driveshaft can be securely mounted in a suitable bench vice. Wipe any dust or dirt from the area where the transmission separates.

DANGER

GASOLINE IS AN EXTREMELY FLAMMABLE FUEL. USE EXTREME CAUTION WHEN HANDLING GASOLINE. DO NOT SMOKE OR BRING FIRE OR FLAME NEAR THE FUEL.

4) Loosen and remove the six capscrews that fasten the transmission together. Using the rubber hammer, split and separate the transmission cover and case. Exercise caution not to damage the dowel pins located on opposite ends of the transmission.

5) If the bearing journals of the secondary pinion, PN 210-0310, are difficult to remove from the ball bearings, the transmission cover and case will separate with greater difficulty. It maybe necessary to provide a supplemental force to the pinion journals to assist the removal process. Remove the PN 37040200 Screw from both bearing housings. Insert a 1/4-20 UNC capscrew of one inch minimum length into the housing. Using the wrench, turn the capscrew in a clockwise direction. This will provide thrust against the pinion bearing journal until it clears the pinion gear support bearing. Repeat the process with the remaining pinion gear bearing journal if necessary. FIGURE 14. Remove the PN 210-0100 gasket. Remove the primary gear and pinion assembly, PN 210-0340 and PN 210-0310. NOTE: THIS PROCESS IS ONLY NECESSARY IF THE FIT BETWEEN THE PINION GEAR JOURNALS AND THE BALL BEARINGS DO NOT ALLOW DISASSEMBLY OF THE TRANSMISSION COVER AND CASE.



FIGURE 14

6) Clean the interior surfaces of the transmission cover and case with an approved safety solvent.

7) Clean each gear with an approved safety solvent. Inspect the teeth for excess wear, cracks or fatigue. Replace each component as necessary.

CAUTION

Observe all applicable safety precautions for the solvent. Dispose of the used transmission lubricant according to all applicable laws and regulations.

8) If necessary, reinstall PN 37040200 Screw into the bearing housings. Properly secure with the provided hardware.

9) Fill the transmission cover and case with 8 ounces (224g) of high temperature transmission grease containing an extreme pressure additive. Part Number 210-0720 lubrication grease or Fisk Brothers GR-132 is an approved lubricant. FIGURE 15. If the Fisk Brothers lubricant can not be readily sourced, an acceptable alternative is a marine-grade wheel bearing grease that contains an EP (denoting extreme pressure) additive. Distribute the grease equally around all gear teeth. Do not utilize standard lithium based greases intended for common lubrication purposes. These types of grease are not formulated to operate at the higher operating temperatures encountered during the hole digging process. Such greases also do not contain an extreme pressure additive for use with gears.



FIGURE 15

10) Reinstall the primary gear and pinion assembly. Distribute the grease equally around all gear teeth. Replace the old transmission gasket with a new gasket, PN 210-0100. Align the transmission dowel pins when reinstalling the cover. Reinstall the fasteners with the hexagon nuts on the cover side of the transmission. Torque all fasteners to 96 in lbs (12 N.m.) in an "X" sequence.

11) Rotate the final driveshaft and check for excessive noise and/or binding. If excessive noise and/or binding is evident, disassemble the transmission and investigate for probable causes. Reassemble and retorque to the specified amount. Recheck for excessive noise and/or binding.

12) Inspect the Hole Digger for loose, worn or damaged parts. Replace any questionable part or assembly with a genuine, approved replacement part. Do not attempt any maintenance or repair work not described in the Operator Manual. Have such work performed at your dealer's servicing shop.

MAGURA® THROTTLE CONTROL MAINTENANCE PROGRAM.

Applications: All 200 Series models.

The Magura twist grip throttle controls engine speed during the actual hole digging process. It has proven to be a rugged, dependable device that delivers exceptional service life while requiring only minimal maintenance. Every 8 hours of actual operation and whenever the throttle cable is replaced, the following maintenance program is to be followed:

1) Remove the plastic cover to properly inspect the internal components. Any worn or damaged component should be replaced with a factory approved replacement part only. FIGURE 16.

2) Normal use will produce a wear pattern by the braided inner cable into the idler pulley. Maximum allowable groove depth wear created by the throttle cable is 0.045 inch (1 mm). A wear depth in excess of this limit will require the replacement of the idler pulley.

3) Inspect the braided inner cable on a regular basis for excessive wear and fraying in the area in direct contact with the idler pulley. Abnormal wear or fraying will require the replacement of the throttle cable.



FIGURE 16

4) Inspect the barrel end of the braided inner cable for proper retention on a regular basis. A properly retained barrel end will have no relative movement between it and the inner cable. Any relative movement will require the replacement of the throttle cable. FIGURE 17.

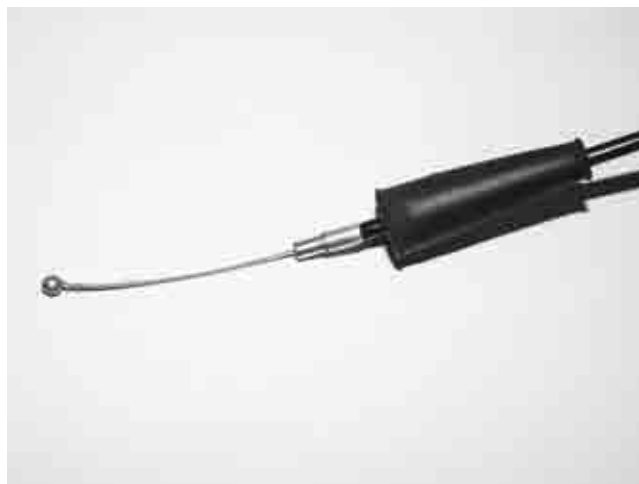


FIGURE 17

5) Inspect the receptacle area of the throttle control which retains the barrel end of the braided inner cable on a regular basis. A properly fitted barrel fitting should have complete freedom of movement with no binding restrictions or excessive play due to wear. A barrel fitting which is binding within the receptacle should be discarded in favor of a replacement throttle cable. Excessive receptacle wear will require replacement of the specific component assembly. FIGURE 18.



FIGURE 18

6) The rubber boot assembly is designed to protect the internal components of the throttle control from excessive foreign material accumulations. The service life of the boot assembly can be extended with the application of an appropriate preservative on a regular basis.

CAUTION

Do not operate the Hole Digger without a rubber boot assembly in proper condition mounted in position on the Magura throttle control. Without the use of a proper rubber boot assembly, foreign materials can accumulate within the throttle control assembly. Such an occurrence can restrict the movement of the internal components, reducing operator control of the Hole Digger and result in property damage and/or personal injury.

7) Inspect the handle grip on a regular basis to determine it is properly secured to the throttle control. A grip which fits loose on the throttle control or has become worn or torn from use should be replaced with a factory approved replacement part only.

AUGER MAINTENANCE PROGRAM.**Application: All 200 Series models.**

All General 200 Series Hole Diggers utilize earth augers incorporating a boring head configuration featuring the E-Series, knife-type blades. This design has been field proven for several decades to provide unequaled digging performance in a wide range of unconsolidated and semiconsolidated soil formations. As with any ground engaging tool, the service life of the wear components will have limits directly affected by soil classification, soil moisture content and general operating procedures. A consistent auger maintenance program will provide maximum digging performance and investment return.

REPLACING A WORN AUGER SCREW BIT.**Application: All augers.**

Tools Required:

- 1 each, suitable safety glasses.
- 1 each, hammer
- 1 each, 1/4 inch diameter, drift-type punch.

Parts Required:

- 1 each, PN P302 Screw Bit (3 inch diameter auger).
- 1 each, PN P801 Screw Bit (2 inch and 4 to 8 inch diameter augers).
- 1 each, PN 20041200 Roll Pin (2 and 3 inch diameter augers, if required).
- 1 each, PN 20051800 Roll Pin (4 to 8 inch diameter augers, if required).

The screw bit utilized with the 2 and 3 inch diameter augers functions as the boring head. No other blade is utilized.

1) The replacement of the auger screw bit will require a level working platform of sufficient size and appropriate height. Wear safety eye wear and any other apparel deemed appropriate for the job application and/or job site environment.



WEAR SAFETY EYEWEAR AND ANY OTHER SAFETY APPAREL DEEMED APPROPRIATE FOR THE JOB APPLICATION AND/OR JOB SITE ENVIRONMENT. THE TOOTH

REPLACEMENT PROCESS CAN CREATE FLYING STEEL CHIPS AND/OR OTHER DEBRIS. CAUTION ALL ONLOOKERS REGARDING THE POSSIBILITY OF AND/OR TO REMAIN CLEAR OF FLYING DEBRIS. IMPROPER SAFETY PROCEDURES CAN RESULT IN PROPERTY DAMAGE AND/OR PERSONAL INJURY.

2) Inspect the auger for worn or broken components. Check to determine that the auger does not have a bent or damaged axle. A bent or damaged axle will cause the auger to "wobble" during use. Maximum allowable auger wobble is 0.25 inch (7 mm) total indicated runout (TIR). An auger with a total indicated runout wobble in excess of this value should be removed from service and scrapped.



DO NOT OPERATE AN AUGER WHICH HAS A BENT OR DAMAGED AXLE WITH A TOTAL INDICATED RUNOUT EXCEEDING THE MAXIMUM ALLOWABLE LIMIT. EXCESSIVE AUGER WOBBLE CAN REDUCE OPERATOR CONTROL, RESULTING IN PROPERTY DAMAGE AND/OR PERSONAL INJURY.

- 3) Using the hammer and drift-type punch, remove the roll pin from the auger axle.
- 4) Remove the worn screw bit from the auger axle. Align the hole of the replacement screw bit with the hole drilled in the auger axle.
- 5) Install the roll pin with the hammer and drift-type punch.
- 6) Return the auger back to service.

REPLACING A WORN AUGER BLADE.**Application: All augers 4 inch diameter and larger.**

Tools Required:

- 1 each, suitable safety glasses.
- 2 each, 7/16 inch wrenches.
- 1 each, 1/4 inch diameter, drift-type punch.

Parts Required:

- 1 each, PN E244, 4 inch diameter auger.
- 1 each, PN E246, 6 inch diameter auger.

1 each, PN E248, 8 inch diameter auger.
Required Quantity: 2425 Bolt, washer and nut.

Blades are hot-coined from alloy steel and heat treated to extend their service life. All blades utilize 1/4 inch diameter capscrews, lock washers and standard nuts to retain the blade to the auger plate. Each blade incorporates a minimum of two capscrews. A worn auger that has only one capscrew still visible and/or usable is worn beyond its useful service life and should be discarded.

1) The replacement of the auger blade will require a level working platform of sufficient size and appropriate height. Wear safety eyewear and any other safety apparel deemed appropriate for the job application and/or job site environment.



DANGER

WEAR SAFETY EYEWEAR AND ANY OTHER SAFETY APPAREL DEEMED APPROPRIATE FOR THE JOB APPLICATION AND/OR JOB SITE ENVIRONMENT. THE TOOTH REPLACEMENT PROCESS CAN CREATE FLYING STEEL CHIPS AND/OR OTHER DEBRIS. CAUTION ALL ONLOOKERS REGARDING THE POSSIBILITY OF AND/OR TO REMAIN CLEAR OF FLYING DEBRIS. IMPROPER SAFETY PROCEDURES CAN RESULT IN PROPERTY DAMAGE AND/OR PERSONAL INJURY.

2) Inspect the auger for worn or broken components. Check to determine that the auger does not have a bent or damaged axle. A bent or damaged axle will cause the auger to "wobble" during use. Maximum allowable auger wobble is 0.25 inch (7 mm) total indicated runout (TIR). An auger with a total indicated runout wobble in excess of this value should be removed from service and scrapped.



DANGER

DO NOT OPERATE AN AUGER WHICH HAS A BENT OR DAMAGED AXLE WITH A TOTAL INDICATED RUNOUT EXCEEDING THE MAXIMUM ALLOWABLE LIMIT. EXCESSIVE AUGER WOBBLE CAN REDUCE OPERATOR CONTROL, RESULTING IN PROPERTY DAMAGE AND/OR PERSONAL INJURY.

3) Using the 7/16 inch wrenches, loosen the

capscrews to remove the worn blade from the auger plate. Remove any accumulated dirt from the auger plate area. Install the replacement blade with the capscrew threads facing up toward the hub. The replacement blade will extend past the outside diameter of the auger plate. This allows the blade to wear while providing added component protection. Tighten firmly with the wrenches.

4) Return the auger back to service.

ENGINE SERVICE

Consult Instructions for Use Manual provided by the engine manufacturer for specific service and maintenance information regarding:

- 1) muffler
- 2) spark plug
- 3) air filter
- 4) carburetor adjustment
- 5) maintenance schedule
- 6) engine oil change
- 7) troubleshooting
- 8) short and long term storage

Keep this information stored with the Operator Manual for the Hole Digger so it will always be available for use when the engine requires service or maintenance. A properly maintained engine will add considerably to the service life and overall productivity of the Hole Digger.

Repair

WARNING

DO NOT PERFORM SERVICE AND/OR REPAIR RELATED FUNCTIONS WITH THE HOLE DIGGER MOUNTED TO THE 999 SERIES DISPLAY STANDS. THESE STANDS ARE NOT DESIGNED AND/OR INTENDED FOR MAINTENANCE FUNCTIONS. SUCH USE CAN RESULT IN PROPERTY DAMAGE AND/OR PERSONAL INJURY.

CENTRIFUGAL CLUTCH ROTOR AND SHOE ASSEMBLY REMOVAL AND INSTALLATION.

Application: 240 Hole Digger powered by the Subaru EH035V engine.

The 240 Hole Digger utilizes an all metal centrifugal clutch rotor and shoe assembly that expands with engine RPM to engage the clutch drum and transfer torque. The centrifugal clutch rotor and shoe assembly is mounted to and operates concentrically about the engine crankshaft. Symptoms for replacement of the clutch assembly include the following:

1) Excessive clutch slippage and auger stalling at full, governed engine speed.

2) Partial clutch engagement (and resulting auger rotation) at the specified engine idle speed.

To replace the clutch rotor and shoe assembly, proceed as follows:

Tools required:

- 1 each, 7/16 inch wrench.
- 1 each, 17 mm socket with impact wrench
- 1 each, container of Loctite 609 or equivalent
- 1 each, torque wrench, 120 inch pounds (13.4 N.m.) capacity and 17 mm socket.

Parts Required:

- 1 each, PN 240 0100 transmission gasket (if required)
- 1 each, PN 240-0160 Drum and pinion shaft assembly (if required)
- 1each, PN 240-0170 rotor and shoe assembly

Centrifugal clutch removal and installation will require a level working platform of sufficient size and appropriate height. As an alternative, the transmission driveshaft assembly can be securely mounted in a suitable bench vice.

The transmission is designed to allow removal of a worn centrifugal clutch rotor and shoes assembly without requiring the transmission cover and case to be disturbed. Upon inspection, if the centrifugal clutch drum and pinion shaft requirement replacement, the transmission case and cover will then require further disassembly.

Centrifugal clutch rotor and shoe assembly removal and installation.

1) Drain the fuel from the fuel tank and oil from the engine into UL approved containers. Wipe any excess spilled liquids and dispose of properly. Refer to the **Service** section for more detailed information.

DANGER

GASOLINE IS AN EXTREMELY FLAMMABLE FUEL. USE EXTREME CAUTION WHEN HANDLING GASOLINE. DO NOT SMOKE OR BRING ANY FIRE OR FLAME NEAR THE FUEL.

2) Using the 7/16 inch wrench, remove the four K-lock type nuts that retain the engine to the transmission. Separate the engine from the transmission.

3) Position the engine with the rotor and shoe assembly facing up and properly secure.

4) Using the impact wrench and 17 mm socket, remove the two retaining capscrews. Threads are right handed. Remove the rotor and shoe assembly from the engine flywheel.

5) Clean the engine flywheel and clutch drum areas with an appropriate solvent.

CAUTION

Observe all applicable safety precautions for the solvent.

6) Inspect the engine flywheel, crankcase castings, mounting studs and clutch drum for cracks and other signs of visible of damage. Any damaged component will require immediate replacement with a suitable, factory-replacement part.

7) If the clutch drum shows signs of severe wear and/or damage, it will also require immediate replacement. Refer to **CENTRIFUGAL CLUTCH DRUM AND PINION SHAFT REMOVAL AND INSTALLATION**. Severe wear is defined as:

a) Deep grooves cut into the walls of the drum that measure greater than 3.140 inches (79.76 mm).

b) A deep, dark blue color that might indicate sustained operation at high temperatures while slipping. Extended and sustained operation can potentially weaken the structural integrity of the brazed connection between the drum and pinion shaft.

8) Clean and inspect the hardware that retains the rotor and shoe assembly to the engine flywheel. Replace any component with a factory approved replacement part if cracks and other signs of visible damage are present.

9) Apply Loctite 609 or equivalent to the shoulder bolt threads.

10) Locate the replacement clutch rotor and shoe assembly and thrust washers on the engine flywheel with the direction arrow pointing in a counter-clockwise direction. FIGURE 19. This orientation properly maximizes the torque transmitting capabilities of the clutch.



FIGURE 19

CAUTION

Improper orientation will result in increased slippage, reduced digging capacity with increased clutch wear.

11) Install the retaining shoulder bolts. Torque the shoulder bolts to 5.4-7.2 ft. lbs. (7.5-10 N.m.). When properly installed and torqued, the shoulder bolts should not thrust directly against the washers and thus apply a direct force against the clutch shoes. Such an occurrence will restrict the proper movement of the clutch shoes.

CAUTION

Improper shoulder bolt clearance will limit proper movement of the clutch shoes and overall operation. Such an occurrence can result in property damage and/or personal injury.

12) Reinstall the engine to the transmission with the correct orientation to the operator handle.

WARNING

IMPROPER ENGINE MOUNTING ORIENTATION TO THE OPERATOR HANDLE CAN REDUCE MACHINE CONTROL DURING THE HOLE DIGGING PROCESS. SUCH OCCURRENCE CAN RESULT IN PROPERTY DAMAGE AND/OR PERSONAL INJURY.

13) Using the wrench, tighten the 1/4 inch K-lock type nuts. There is not adequate space to allow the use of a conventional torque wrench. Tighten the nuts to approximate a 90 inch pound (10 N.m.) value. An approximate value will place the nut flush with the end of the mounting studs.

14) Rotate the final driveshaft and check for excessive noise and/or binding. If excessive noise and/or binding is evident, disassemble the engine from the transmission and investigate for probable causes. Reassemble and retorque to the specified values. Recheck again for excessive noise and/or binding.

15) Refill the engine fuel tank and crankcase with the appropriate fluids as required.

16) If placing the machine back in service, follow the procedures as outlined in this manual for starting the engine. Refer to **STARTING THE ENGINE WITH THE AUGER CONNECTED TO THE TRANSMISSION DRIVESHAFT.**

CENTRIFUGAL CLUTCH DRUM AND PINION SHAFT REMOVAL AND INSTALLATION.

Application: 240 Hole Digger powered by the Subaru EH035V engine.

Tools Required:

- 2 each, 7/16 inch wrenches
- 1 each, plastic hammer
- 1 each, powered impact wrench with 12 point, 25/32 inch socket
- 1 each, torque wrench, 120 inch pounds (13.5 N.m.)

Parts Required:

- 1 each, PN 240-0100 gasket
- 1 each, PN 240-0160 clutch drum and pinion shaft assembly
- 1 each, PN 210-0320 Pinion gear(if required)
- 1 each, container of thread anti-seize.

1) Drain the fuel from the fuel tank and oil from the engine crankcase into UL approved containers. Wipe any excess spilled liquids and dispose of properly.



DANGER

GASOLINE IS AN EXTREMELY FLAMMABLE FUEL. USE EXTREME CAUTION WHEN HANDLING GASOLINE. DO NOT SMOKE OR BRING FIRE OR FLAME NEAR THE FUEL.

2) Position the Hole Digger on a suitable work bench with the operator handle level with the ground. As an alternative, the transmission driveshaft can be securely mounted in a suitable bench vice. Wipe any dust or dirt from the area where the transmission separates.

3) Loosen and remove the four nuts that retain the engine and operator handle to the transmission. Separate the engine from the operator handle from the transmission and store in a position that does not damage the throttle cable.

4) Loosen and remove the six capscrews that fasten the transmission together. Using the rubber hammer, split and separate the transmission cover and case. Exercise caution not to damage the dowel pins. If the bearing journals of the secondary pinion, PN 210-0310, are difficult to remove from the ball bearings, remove the PN 37040200 Screw from both housings. Insert a 1/4-20 UNC capscrew into the housing. Using the wrench, rotate the capscrew to thrust against the pinion journal until it clears the pinion gear support bearing. Repeat the process with the remaining pinion gear bearing journal if necessary. FIGURE 20. Remove the PN 210-0100 Gasket. Remove the primary gear and pinion assembly, PN 210-0340 and PN 210-0310.



FIGURE 20

5) If it is determined the transmission grease should be replaced refer to **CHANGING THE HOLE DIGGER TRANSMISSION LUBRICANT** in the **Service** section of this manual for additional information.

6) The PN 210-0320 Pinion Gear is threaded on to the clutch drum shaft. The threads are right hand rotation. Using the impact wrench and 12 point, 25/32 inch socket, remove the pinon gear from the clutch drum shaft. FIGURE 21.

7) Using the rubber hammer, tap against the threaded shaft until it is clear of the transmission cover. If additional force is required, support the cover to prevent damage in a suitable arbor press. Apply a direct force against the threaded shaft until the drum and shaft clear the transmission cover. FIGURE 22.

DANGER

WEAR SAFETY EYEWEAR AND APPROPRIATE APPAREL WHEN DISASSEMBLING THE CLUTCH DRUM AND SHAFT FROM THE TRANSMISSION COVER. FLYING DEBRIS CAN RESULT IN PERSONAL INJURY.



FIGURE 21



FIGURE 22

8) Inspect the support bearings for excessive wear. Replace as necessary. Install the replacement drum and shaft assembly in the transmission cover. Determine the drum fits tight against the bearings.

9) Apply a suitable amount of tread anti-seize material to the exterior threads of the drum shaft. Reinstall the pinion gear, PN 210-0320 to the drum shaft. Thread by hand. If additional torque is required, the pinion gear can be assembled to the shaft utilizing the impact wrench and the 12 point, 25/32 inch socket. Thread the pinion gear on the shaft until it fits tight against the bearing. A thrust force that places an excessive preload against the bearing is not necessary and can actually reduce bearing service life.

10) Reinstall the primary gear and pinion assembly. Determine there is sufficient grease equally spread around all gear teeth. Replace the old transmission gasket with a new gasket, PN 240-0100. Align the transmission dowel pins when reinstalling the cover. Reinstall the fasteners with the hexagon nuts on the cover side of the transmission. Torque all fasteners to 96 inch lbs (12 N.m.) in an "X" sequence.

11) If necessary, reinstall PN 37040200 Screw into the bearing housings. Properly secure with the provided hardware.

12) Rotate the final driveshaft and check for excessive noise and/or binding. If excessive noise and/or binding is evident, disassemble the transmission and investigate for probable causes. Reassemble and retorqued to the specified value. Recheck for excessive noise and/or binding.

13) Inspect the centrifugal clutch assembly for excessive wear and/or damage. If it is determined the centrifugal clutch rotor and shoe assembly requires replacement, refer to **CENTRIFUGAL CLUTCH ROTOR AND SHOE ASSEMBLY REMOVAL AND INSTALLATION** in the **Service** section of this manual for additional information.

14) Reinstall the engine and operator handle to the transmission. Torque the fasteners to 96 inch lbs (12 N.m.) in an "X" sequence.

15) Refill the engine crankcase with the correct amount and type of grease. Refer to **FILLING THE ENGINE CRANKCASE WITH OIL** in the **Before Starting the Engine** section of this manual for additional information.

16) Determine that the disassembly process has not affected the proper operation of the twist grip throttle control. If improper operation is detected, determine the probable cause(s). Replace any suspect component with a factory approved replacement part only.

Troubleshooting

ENGINE.

ENGINE FAILS TO START

Ignition switch in OFF position. Place in ON position.

Incorrect carburetor adjustment. See **Service** section.

Ignition wire to spark plug loose or disconnected. Reconnect.

Fuel supply exhausted. Refill fuel tank.

ENGINE LOOSES POWER

Incorrect carburetor adjustment. See **Service** section.

Water in fuel supply. Drain and replace fuel.

Plugged engine exhaust ports. See **Service** section.

Dirty spark plug. See **Service** section.

Incorrect throttle control/cable adjustment. See **Assembly** section.

Gasoline tank breather vent closed (if so equipped). Open vent.

Dirty air filter. See **Service** section.

ENGINE OVERHEATS

Incorrect carburetor adjustment. See **Service** section.

Incorrect fuel/oil mixture ratio. See **Before Starting The Engine** section.

Cooling fins clogged. Remove engine blower housing and clean cooling fins.

OPERATIONAL PROBLEMS.

HOLE DIGGER LACKS POWER

Incorrect amount of transmission lubricant. See **Service** section.

Centrifugal clutch assembly worn. Replace

Auger diameter too large for given soil condition. See **Digging Operation** section.

Incorrect throttle control/cable adjustment. See **Assembly** section.

AUGER ROTATES AT IDLE SPEED

Incorrect throttle control/cable adjustment does not permit proper engine idle speed. See **Assembly** section.

Centrifugal clutch worn. Replace.

Incorrect engine idle speed. See **Service** section.

Storage

Proper procedure for long term storage of the Hole Digger will protect it against the affects of corrosion and damage. If the Hole Digger is not to be operated for a period of 30 days or more, proceed to store as follows:

1) Clean all accumulated dirt and grease from the Hole Digger utilizing an approved safety solvent.



CAUTION

Observe all applicable safety precautions for the solvent

2) Follow the procedure as outlined in the material supplied by the engine manufacturer detailing long term storage of the engine.

3) Check all visible parts for wear, breakage or damage. Order any part required to make the necessary repair. This will avoid a needless delay when operating the Hole Digger at next use.

4) Apply a light coat of protective grease to the transmission final driveshaft to prevent the formation of rust.

5) Do not store the Hole Digger connected to an auger. Always store the Hole Digger with the operator handle level with the ground.

6) Store the Hole Digger inside. If the Hole Digger must be stored outside, protect it and each auger with a suitable covering.

Specifications

ENGINE.

| | |
|----------------|---------------------|
| TYPE | Subaru Robin EH035V |
| HIGH SPEED | 9000 RPM (No Load) |
| IDLE SPEED | 2900 RPM |
| SPARK PLUG GAP | .030 inch (.76 mm) |

FUEL Unleaded, automotive grade

GASOLINE TANK CAPACITY 24 US ounces (0.75 liter)

TRANSMISSION.

TYPE Enclosed, spur geared, double reduction.

REDUCTION RATIO 42.5 to 1

LUBRICANT CAPACITY 8 US ounces (224 g)

LUBRICANT SPECIFICATION High temperature transmission grease containing an extreme pressure (EP) additive.

CLUTCH 3 inch (76 mm) diameter, all-metal, automatic cam type centrifugal.

AUGER CAPACITY: 2 inch (51 mm) diameter up to and including 8 inch (203 mm) diameter. Refer to **Digging Operation** for specific information.

GENERAL.

MODEL M240

REQUIRED NUMBER OF OPERATORS 1

LEAD AUGER SERIES TYPE/NUMBER General® 2135

AUGER EXTENSION TYPE/SERIES NUMBER General® 2135

UPDATED: July 8, 2004

MATERIAL SAFETY DATA SHEET

GROWMARK, INC
2200 South Avenue, P.O. Box 587, Council Bluffs, IA 51502-0587

EMERGENCY TELEPHONE NUMBER: 1-(800)-798-6457

******* I. PRODUCT IDENTIFICATION *******

Product Name: United Select 450 A/S 10w30
 Chemical Name: Lubricating Oil
 Chemical Family: Petroleum Hydrocarbon
 Trade Names: United™, Hyde, Nourse, Tracto, En-O-Co (Enoco)

******* II. TYPICAL CHEMICAL AND PHYSICAL PROPERTIES *******

Vapor Pressure (MM HG): Nil Vapor Density (Air=1) Nil
 Solubility (in water): Nil Melting Point: NA
 Specific Gravity (H₂O=1): .86 - .94
 Boiling Point °F(°C): Greater than 680°F (360°C)
 Evaporation Rate: Slower than n-Butyl Acetate
 Appearance and Odor: Amber Liquid, Slight Hydrocarbon Odor

******* III. HAZARDOUS COMPONENTS *******

| <u>COMPONENT</u> | <u>CAS</u> | <u>W - %</u> | <u>ACGIH TLV</u> | <u>OSHA</u> |
|------------------------------|------------|--------------|-----------------------|-------------|
| <u>PEL</u> <u>STEL</u> | | | | |
| Highly Refined Petroleum Oil | 64742-65-0 | 80-95 | 5 mg/M ³ | 5 |
| Zinc dialkyl dithiophosphate | 25103-54-2 | 0.10 - 1.50 | No limits established | |

******* IV. FIRE AND EXPLOSION HAZARD DATA *******

Flammability Class: NFPA 704=1 NFPA 30=III-B
 Combustible
 Flash Point °F(°C) 370°F(188°C) - 455°F (235°C) (COC) LEL: n/a

EXTINGUISHING MEDIA:
 According to the NFPA guide, use water fog, Foam Dry chemical or CO₂. Do not use a direct stream of water. Product will float and can be reignited on the surface of water. Use water to cool containers

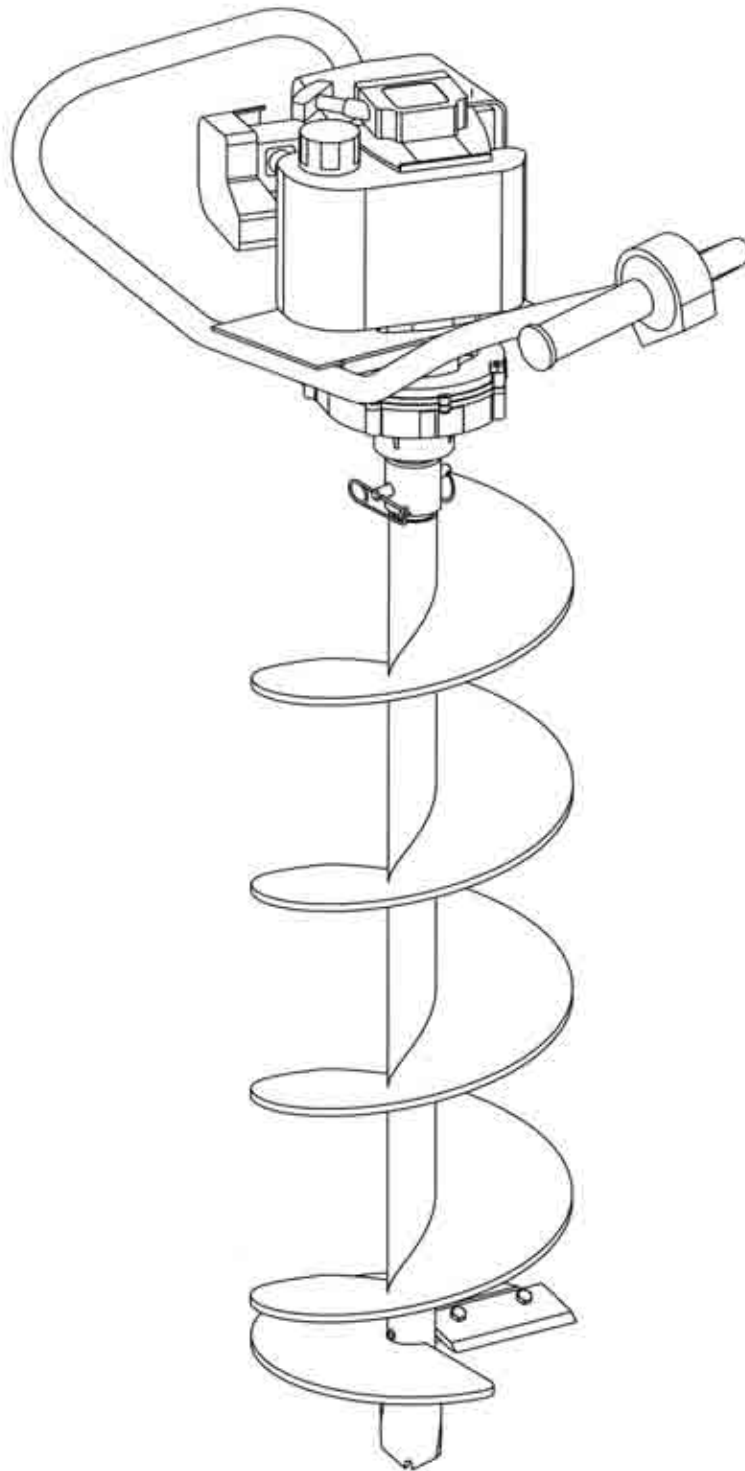
SPECIAL FIRE FIGHTING PROCEDURES AND PRECAUTIONS:
 Material will not burn unless preheated. Do not enter confined fire-space without proper protective equipment including a positive-pressure NIOSH approved self-contained breathing apparatus. Use water to keep fire exposed containers cool.

******* V. REACTIVITY DATA *******

File Name: MSDS01561
 Printed on: 06/21/07



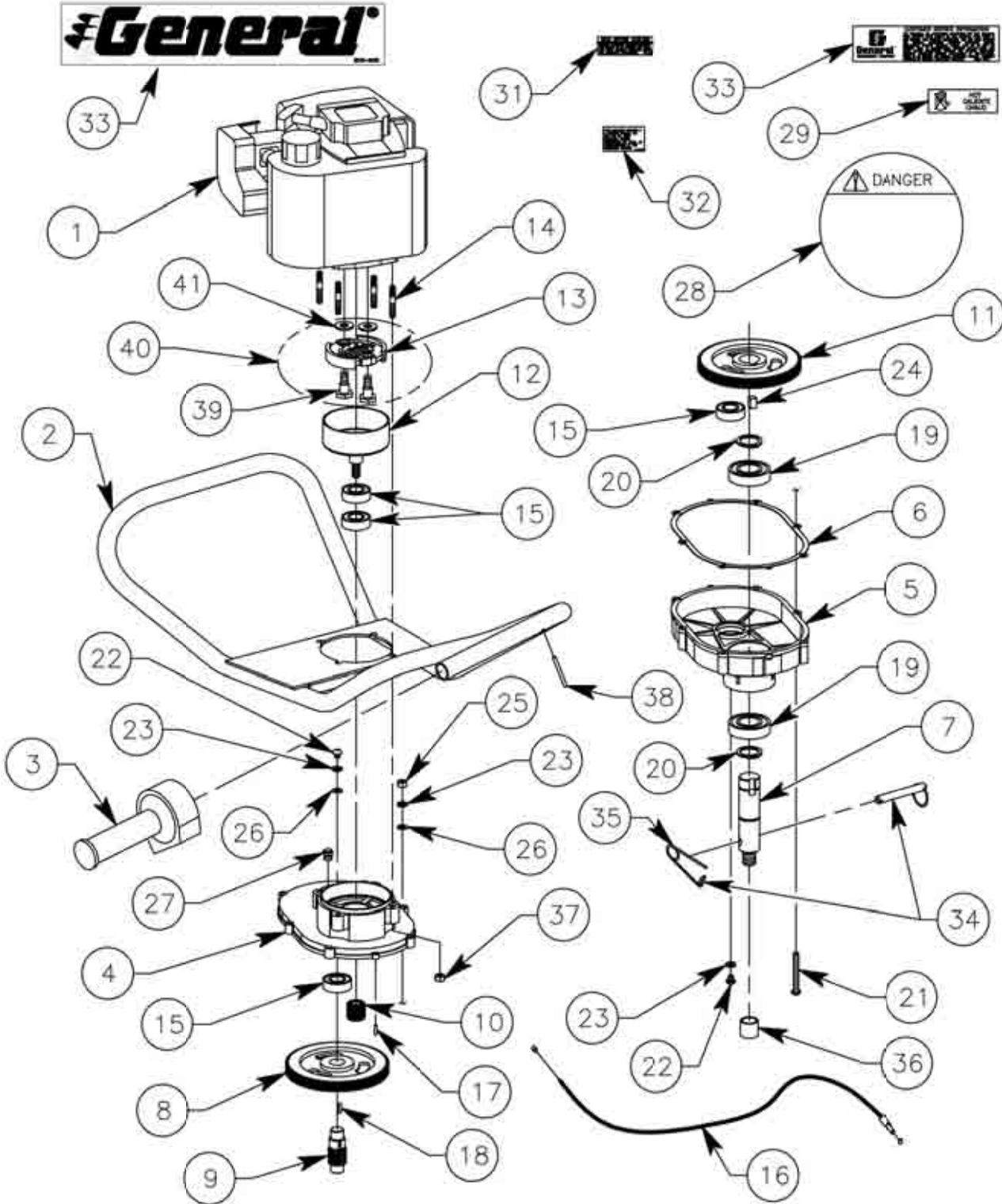
Replacement Parts Diagrams



Know what's below.
Call before you dig.

Left Blank

Transmission Assembly 240 Hole Digger [Serial Numbers 2550 Thru 28256]



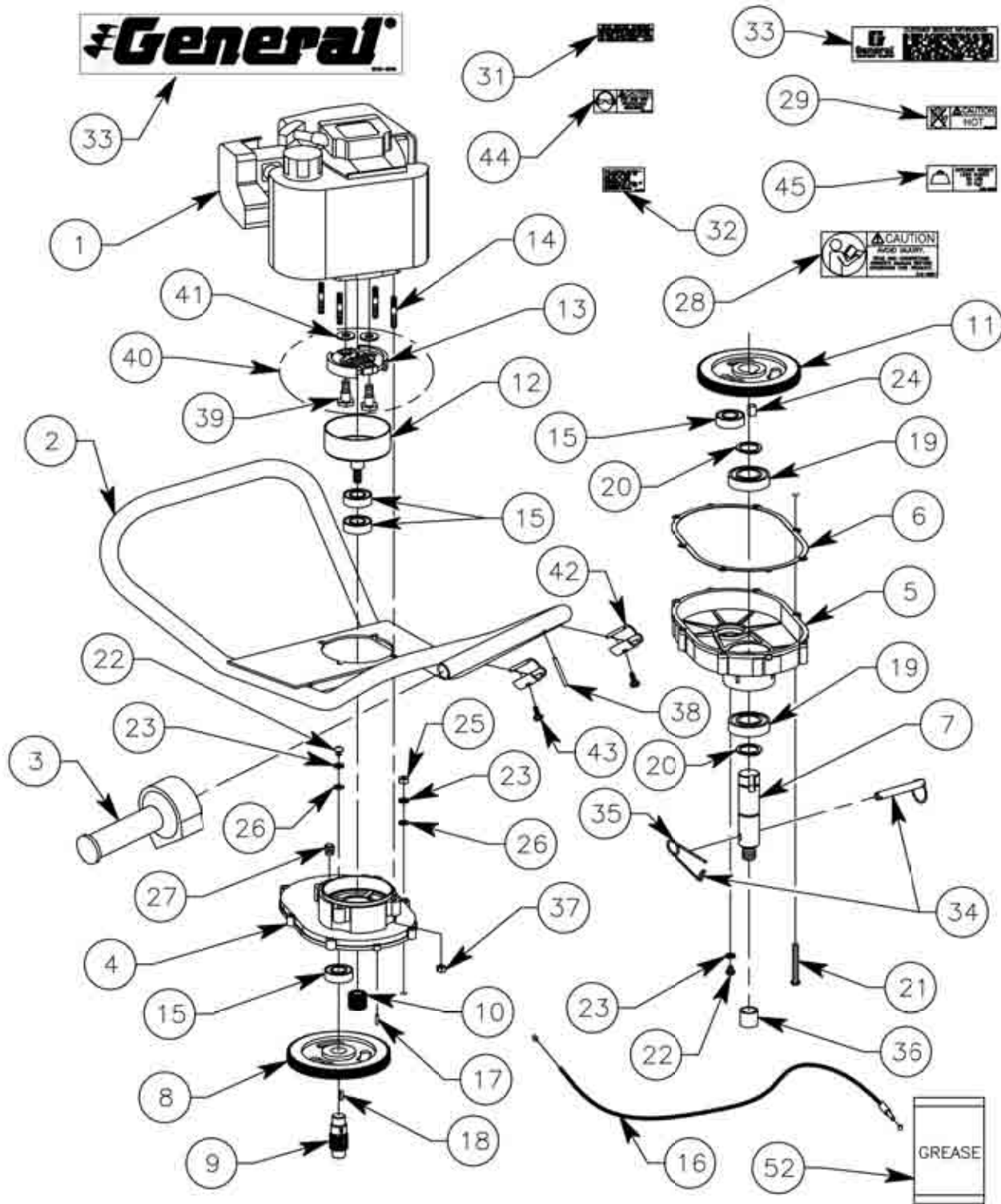
Know what's below.
Call before you dig.



Transmission Assembly 240 Hole Digger [Serial Numbers 2550 Thru 28256]

| REFERENCE NUMBER | PART NUMBER | DESCRIPTION | QTY |
|------------------|---------------|---|-----|
| 1 | EH035VReplace | Engine, Robin Subaru, 1.6 HP | 1 |
| 2 | 240-0090 | Handle, Operator, Complete, Less Throttle Control | 1 |
| 3 | 310-0030 | Throttle, Twist Control, Plastic, Complete | 1 |
| 4 | 240-0130 | Cover, Transmission | 1 |
| 5 | 240-0120 | Case, Transmission | 1 |
| 6 | 240-0100 | Gasket, Transmission | 1 |
| 7 | 210-0330 | Shaft, Drive, 1" Round | 1 |
| 8 | 240-0350 | Gear, Secondary, 78 Tooth | 1 |
| 9 | 210-0310 | Gear, Pinion, Secondary | 1 |
| 10 | 210-0320 | Gear, Clutch, Primary | 1 |
| 11 | 240-0340 | Gear, Primary, 78 Tooth | 1 |
| 12 | 240-0160 | Drum, Clutch | 1 |
| 13 | 240-0170 | Rotor And Shoe Assembly, Clutch | 1 |
| 14 | 240-0200 | Stud, M6 x 1/4-28 UNF, Plated | 4 |
| 15 | 99502H | Bearing, Sealed | 4 |
| 16 | 240-0080 | Cable, Throttle | 1 |
| 17 | 51020400 | Pin, Dowel, 1/8" x 1/2" | 2 |
| 18 | 3 | Key, Woodruff, 1/8" x 1/2", Alloy | 1 |
| 19 | 99R16 | Bearing, Sealed | 2 |
| 20 | 5160-98 | Ring, Snap | 2 |
| 21 | 34041600 | Screw, Machine, Round Head, Phillips, Plated | 6 |
| 22 | 37040200 | Screw, Panhead, Philips, 1/4-20 UNC x 5/16", Plated | 2 |
| 23 | 16040000 | Washer, Lock, 1/4" Plated | 8 |
| 24 | 63050400 | Key, Square, 5/16" x 1/2", Alloy | 1 |
| 25 | 18040000 | Nut, Hex, 1/4-20 UNC, Plated | 6 |
| 26 | AN-960-416L | Washer, AN Type, 1/4", Plated | 8 |
| 27 | 5677 | Valve, Pressure Release | 1 |
| 28 | 210-5020 | Decal, Danger | 1 |
| 29 | 210-5040 | Decal, Hot | 1 |
| 30 | SG24-5072 | Decal, Assistance | 1 |
| 31 | 240-5020 | Decal, Starting | 1 |
| 32 | 240-5030 | Decal, 4 Stroke | 1 |
| 33 | GEDC-5020 | Decal, (General) | 1 |
| 34 | 2121 | Pin, Auger, (Includes P/N AP-21-S) | 1 |
| 35 | AP-21-S | Pin, Safety | 1 |
| 36 | 210-0010 | Cap, Protective, Driveshaft | 1 |
| 37 | 12040001 | Nut, Hex. 1/4-28 UNF, Captivated Washer, Plated | 4 |
| 38 | 20020900 | Pin, Roll, 1/8" x 1-1/8" | 1 |
| 39 | 240-0180 | Bolt, Clutch Pivot | 2 |
| 40 | 240-0170 KIT | Clutch Kit (Includes (1) P.N 240-0170, (2) P/N 240-0180, and (2) P/N 350-0190) | 1 |
| 41 | 240-0190 | Washer, Clutch | 2 |

Transmission Assembly 240 Hole Digger [Used Starting With Serial Numbers 28257]



Transmission Assembly / 240 Hole Digger [Used Starting With Serial Numbers 28257]

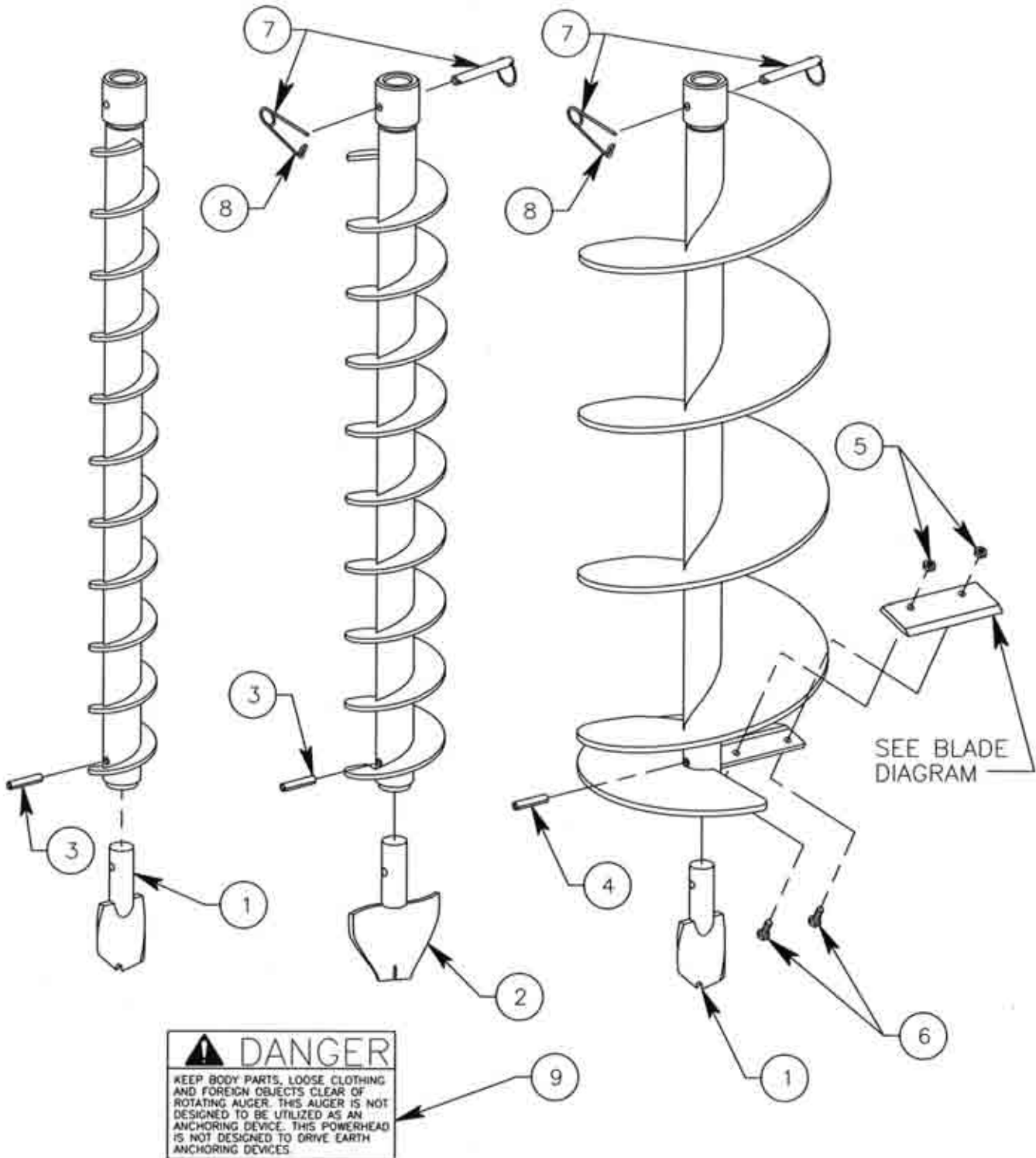
| REFERENCE NUMBER | PART NUMBER | DESCRIPTION | QTY |
|------------------|--------------|---|-----|
| 1 | EH035V | Engine, Robin Subaru, 1.6 HP | 1 |
| 2 | 240-0090 | Handle, Operator, Complete, Less Throttle Control | 1 |
| 3 | 310-0030 | Throttle, Twist Control, Plastic, Complete | 1 |
| 4 | 240-0130 | Cover, Transmission | 1 |
| 5 | 240-0120 | Case, Transmission | 1 |
| 6 | 240-0100 | Gasket, Transmission | 1 |
| 7 | 210-0330 | Shaft, Drive, 1" Round | 1 |
| 8 | 240-0340 | Gear, Primary, 78 Tooth | 1 |
| 9 | 210-0310 | Gear, Pinion, Secondary | 1 |
| 10 | 210-0320 | Gear, Pinion, Primary | 1 |
| 11 | 240-0350 | Gear, Secondary, 78 Tooth | 1 |
| 12 | 240-0160 | Drum, Clutch | 1 |
| 13 | 240-0170 | Rotor And Shoe Assembly, Clutch | 1 |
| 14 | 240-0200 | Stud, M6 x 1/4-28 UNF, Plated | 4 |
| 15 | 99502H | Bearing, Sealed | 1 |
| 16 | 240-0080 | Cable, Throttle | 1 |
| 17 | 51020400 | Pin, Dowel, 1/8" x 1/2" | 2 |
| 18 | 3 | Key, Woodruff, 1/8" x 1/2", Alloy | 1 |
| 19 | 99R16 | Bearing, Sealed | 2 |
| 20 | 5160-98 | Ring, Snap | 2 |
| 21 | 34041600 | Screw, Machine, Round Head, Phillips, Plated | 6 |
| 22 | 37040200 | Screw, Panhead, Philips, 1/4-20 UNC x 5/16", Plated | 2 |
| 23 | 16040000 | Washer, Lock, 1/4" Plated | 8 |
| 24 | 63050400 | Key, Square, 5/16" x 1/2", Alloy | 1 |
| 25 | 18040000 | Nut, Hex, 1/4-20 UNC, Plated | 6 |
| 26 | AN-960-416L | Washer, AN Type, 1/4", Plated | 8 |
| 27 | 5677 | Valve, Pressure Release | 1 |
| 28 | 210-5020 | Decal, Danger | 1 |
| 29 | 210-5040 | Decal, Hot | 1 |
| 30 | SG24-5072 | Decal, Assistance | 1 |
| 31 | 240-5020 | Decal, Starting | 1 |
| 32 | 240-5030 | Decal, 4 Stroke | 1 |
| 33 | GEDC-5020 | Decal, (General) | 1 |
| 34 | 2121 | Pin, Auger, (Includes P/N AP-21-S) | 1 |
| 35 | AP-21-S | Pin, Safety | 1 |
| 36 | 210-0010 | Cap, Protective, Driveshaft | 1 |
| 37 | 12040001 | Nut, Hex. 1/4-28 UNF, Captivated Washer, Plated | 4 |
| 38 | 20020900 | Pin, Roll, 1/8" x 1-1/8" | 1 |
| 39 | 240-0180 | Bolt, Clutch Pivot | 2 |
| 40 | 240-0170 KIT | Clutch Kit (Includes (1) P.N 240-0170, (2) P/N 240-0180, and (2) P/N 350-0190) | 1 |
| 41 | 240-0190 | Washer, Clutch | 2 |
| 42 | 240-0150 | Clip, Modified | 2 |
| 43 | 48030401 | Screw, Cap, Self tap, #10-24 UNC x 1/2", Plated | 2 |
| 44 | 210-5041 | Decal, Caution | 1 |
| 45 | 240-5080 | Decal, Weight | 1 |
| 46 | 210-0720 | Packet, Grease | 1 |



Know what's below.
Call before you dig.

Replacement Parts Diagrams 2135 Series Earth Augers

1" Diameter Round Drive Connection
For Use With 210/240 Series Hole Diggers



Know what's below.
Call before you dig.

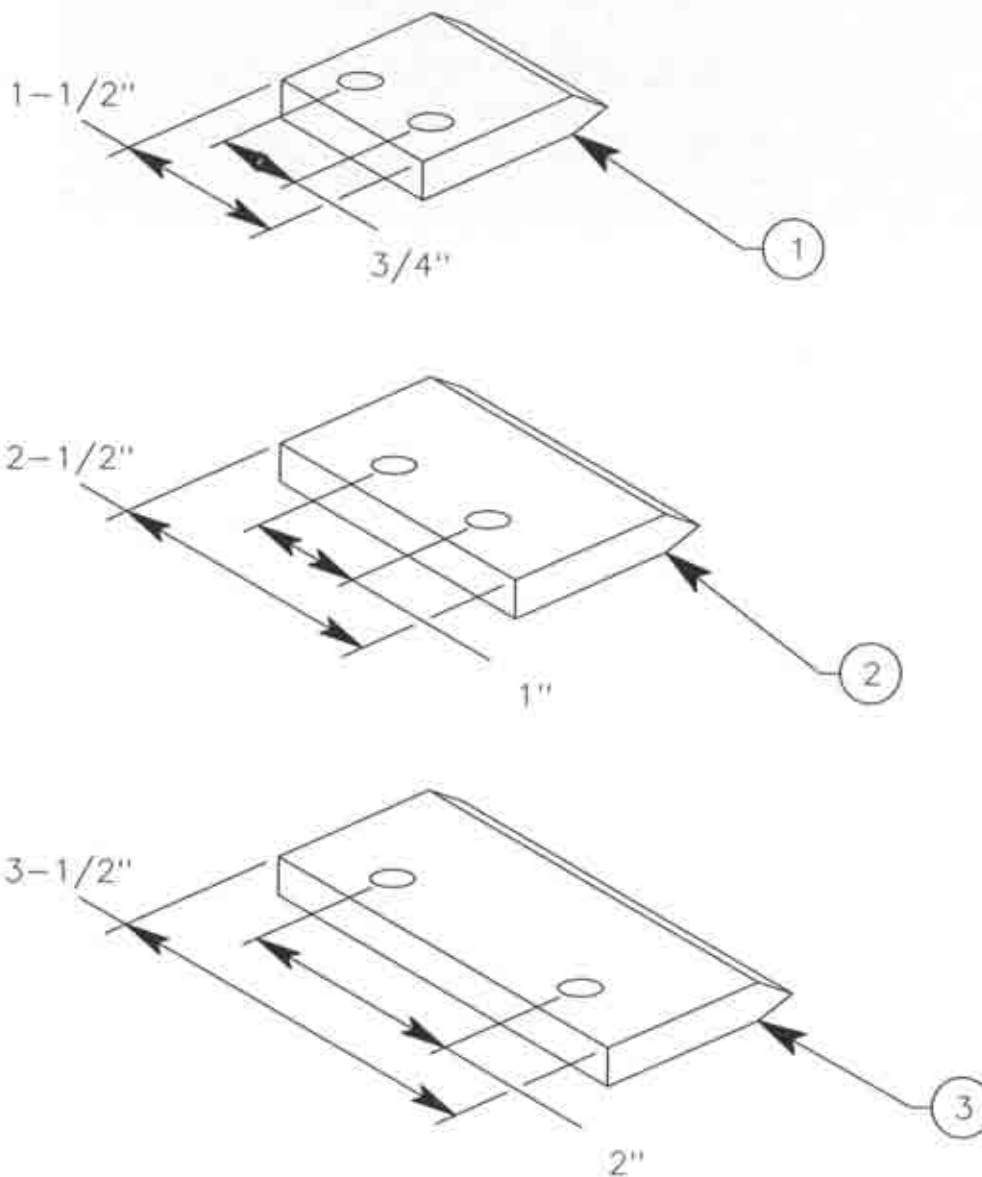
Replacement Parts Diagrams

2135 Series Earth Augers

1" Diameter Round Drive Connection
For Use With 210/240 Series Hole Diggers

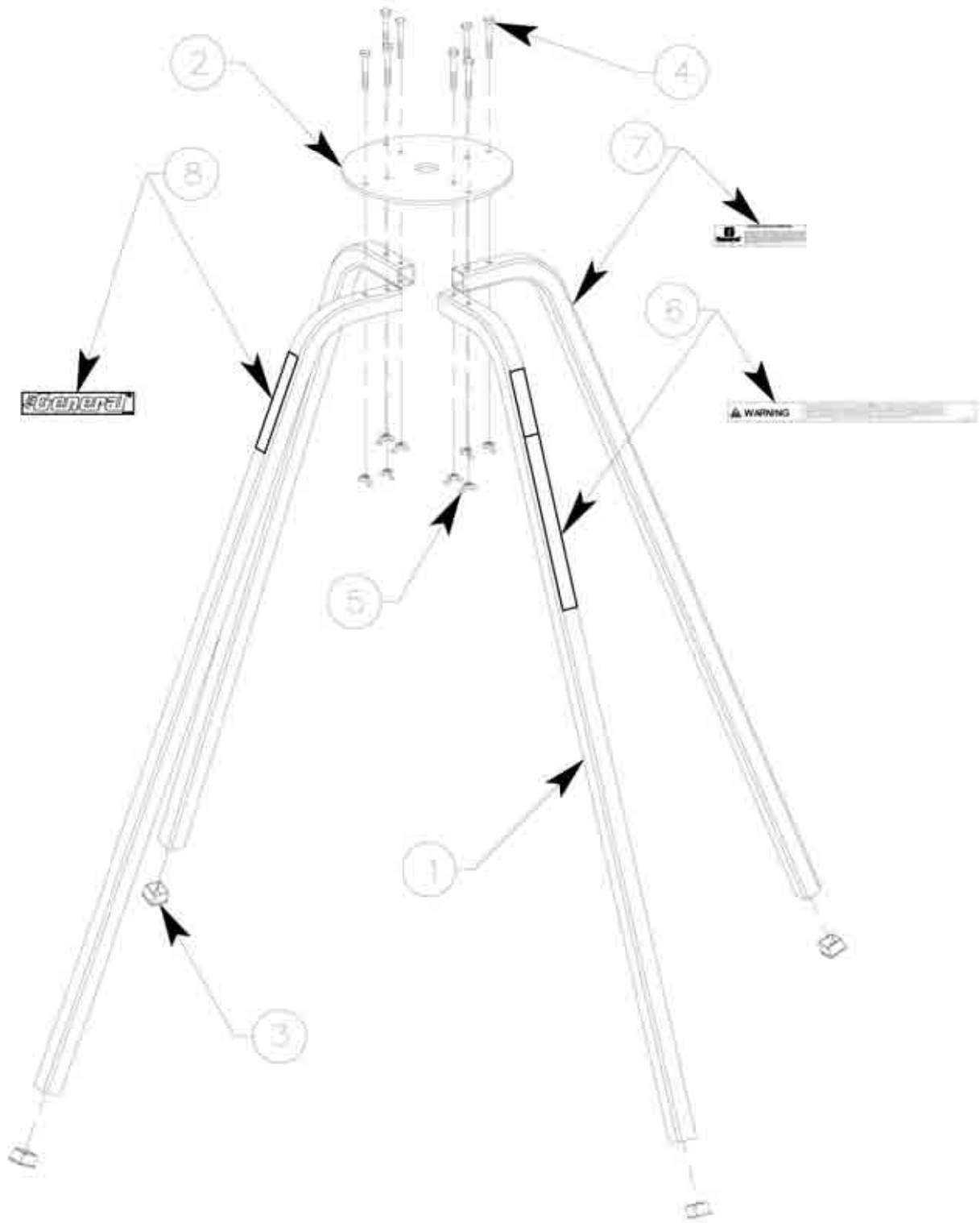
| REFERENCE NUMBER | PART NUMBER | DESCRIPTION | QTY | APPLICATION |
|------------------|-------------|---|-----|---|
| 1 | P801 | Bit, Screw | 1 | 2135-2E Auger 2135-4E thru 2135-8E Augers |
| 2 | P302 | Bit, Screw | 1 | 2135-3E Auger |
| 3 | 20051000 | Pin, Roll, 5/16" x 1-1/4", Plain Finish | 1 | 2135-2E and 2135-3E Augers |
| 4 | 20051200 | Pin, Roll, 5/16" x 1-1/2", Plain Finish | 1 | 2135-4E thru 2135-8E Augers |
| 5 | 52040000 | Nut, Hex, 1/4" UNC, Two Way, Plated | 2 | 2135-4E thru 2135-8E Augers |
| 6 | 15040700 | Screw, Cap, 1/4" x 7/8" UNC, Plated | 2 | 2135-4E thru 2135-8E Augers |
| 7 | 2121 | Pin, Auger (Includes P/N AP-21-S) | 1 | All Augers and 2135-15X Extension |
| 8 | AP-21-S | Pin, Safety | 1 | All Augers and 2135-15X Extension |
| 9 | 233-5092 | Decal, Danger | 1 | All Augers and 2135-15X Extension |

Replacement Blade Diagrams For Use With 2135 Series Earth Augers



| REFERENCE NUMBER | PART NUMBER | DESCRIPTION | QTY | AUGER APPLICATION |
|------------------|-------------|-----------------------------|-----|-------------------|
| 1 | E244 | Blade, Earth, 4" Dia. Auger | 1 | 2135-4E |
| 2 | E246 | Blade, Earth, 6" Dia. Auger | 1 | 2135-6E |
| 3 | E248 | Blade, Earth, 8" Dia. Auger | 1 | 2135-8E |

Display Stand Assembly 210/240 Series Hole Diggers



Know what's below.
Call before you dig.

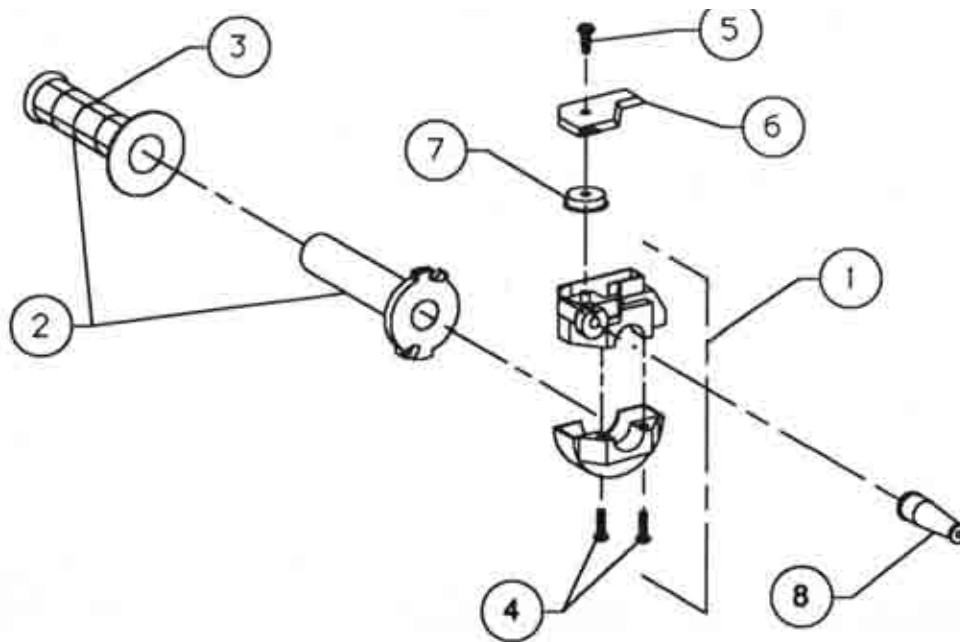
Display Stand Assembly 210/240 Series Hole Diggers

| REFERENCE NUMBER | PART NUMBER | DESCRIPTION | QTY |
|------------------|-------------|--|-----|
| 1 | 999-4-010 | Leg, Stand | 4 |
| 2 | 999-4-020 | Plate, Top | 1 |
| 3 | FP-164 | Cap, Plug, 1" Square | 4 |
| 4 | 15041400 | Screw, Cap, 1/4-20 UNC x 1-3/4" Long, Plated | 8 |
| 5 | 43040000 | Nut, Wing, 1/4-20 UNC, Plated | 8 |
| 6 | 999-4-5010 | Decal, Warning | 1 |
| 7 | SG24-5070 | Decal, Assistance | 1 |
| 8 | GEDC-5010W | Decal, General | 1 |



Know what's below.
Call before you dig.

**Plastic Body Series 314
Magura® Throttle Control Assembly
240/300 Series Hole Diggers**



**Plastic Body Series 314
Magura® Throttle Control Assembly
240/300 Series Hole Diggers**

| Reference Number | PART NUMBER | DESCRIPTION | QUANTITY |
|------------------|----------------|---|----------|
| 1 | 310-0030-010-A | Body Assembly, (Includes P/N 310-0030-040, Qty 2) | 1 |
| 2 | 310-0030-020-A | Tube, Throttle (Includes P/N 310-0020-030) | 1 |
| 3 | 310-0020-030 | Grip, Handle | 1 |
| 4 | 310-0030-040 | Screw, Pan Head, M5 x 20 | 2 |
| 5 | 310-0030-050 | Screw, Self Tapping | 1 |
| 6 | 310-0030-060 | Cover, Top | 1 |
| 7 | 310-0030-070 | Sheave, Roller | 1 |
| 8 | 310-0020-080 | Boot, Rubber | 1 |